

THERMOSTATIC STEAM TRAPS AND AIR ELIMINATORS TSW 22 (Stainless Steel Wafer Design)

DESCRIPTION

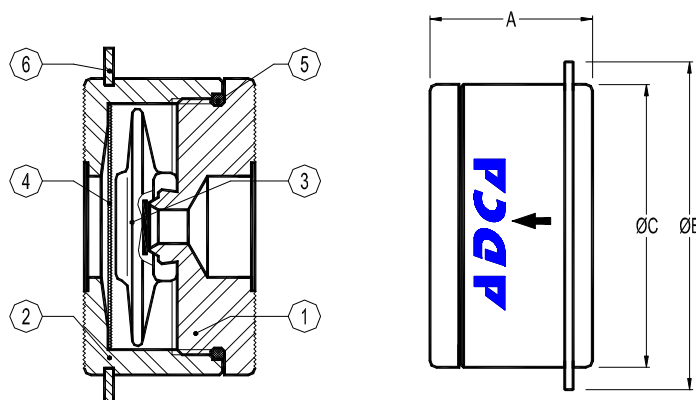
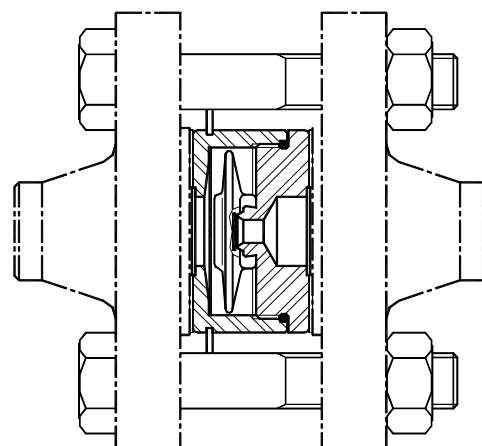
The TSW22 all stainless steel thermostatic steam traps and air eliminators are specifically designed for use on process equipment such as kettle cookers, sterilizers, food, chemical and laundry equipment. The small size makes it ideal for use with a wide variety of this equipment.

Connections are flanged (sandwich).

MAIN FEATURES

- Modulating discharge.
- Discharges condensate close to steam temperature.
- Thermostats for different sub cooling (5°K to 30°K).
- Excellent air discharge.
- Operates on moderate superheated steam.
- Simple and compact design
- Can operate in any plane

- USE: Saturated steam
- AVAILABLE MODELS: TSW 22
- SIZES: DN15 to DN 25
- CONNECTIONS: Sandwiched between flanges as per EN 1092-1 PN16/PN40
- INSTALLATION: Any position



BODY LIMITING CONDITIONS	
WAFER PN 40	RELATED TEMP.
ALLOW. PRES.	
34,4 bar	100 °C
30,8 bar	150 °C
28 bar	200 °C
26 bar	250 °C

PMO - Max. operating pressure 22 bar
TMO - Max. operating temperature 250 °C

DIMENSIONS (mm)				
SIZE DN	A	B	C	WEIGHT Kgs
15	25	51	43	0,25
20*	31,5	61	53	0,45
25	35,5	71	64	0,75

*DN 20 is suitable for installation between flanges DN15 removing the centering ring.

MATERIALS		
POS.Nr.	DESIGNATION	MATERIAL
1	Body	AISI304 / 1.4301
2	Cover	AISI304 / 1.4301
3	* Thermostatic element	Stainless steel
4	* Strainer screen	AISI304 / 1.4301
5	* Gasket	St. Steel / Graphite
6	Centering ring	AISI304 / 1.4301

* Available spare parts

FLOW RATE CAPACITY IN Kgs/h																
MODEL	SIZE	DIFFERENTIAL PRESSURE (bar)														
		0,2	0,3	0,5	1	1,5	2	3	4	6	8	10	13	15	20	22
TSW 22	15 - 25	70	120	140	255	330	385	455	510	600	670	700	720	750	775	795

Capacities shown refer to condensate at 10°C below saturated steam temperature (standard type-S thermostat).
Thermostats for 5° C type-H and 30° type-L, also available. Capacities for cold condensate discharge at 20°C are two to three times greater.