

## THERMODYNAMIC STEAM TRAPS DT42S

**DESCRIPTION**

Thermodynamic DT42S disc steam traps are compact and lightweight-easy to install traps, excellent for high pressure systems, including steam tracing applications. These traps have only one moving part and offer a wide operating range, without adjustment. Connections are female screwed or flanged.

**MAIN FEATURES**

Intermittent discharge.  
Operates on superheated steam.  
The seat and disc can be easily replaced in field without removing the trap from the line.  
Unaffected by water hammer and vibrations  
Built-in easy-to-clean strainer.

**OPTIONS:** Insulation cap  
Blow-off valve

**USE:** Saturated and superheated steam.

**AVAILABLE MODELS:** DT 42S

**SIZES:** DN ½" to DN 1" – DN15 to DN25

**CONNECTIONS:** Female screwed ISO7/1 Rp (BS21)  
Flanged EN1092-1 PN40-PN63 or ANSI

**INSTALLATION:** Horizontal installation recommended.  
Can be installed in any position.

**APPLICATION**

**LIMITS:** Min-working pressure – 0,25 bar  
Max.working back pressure – 80%



BODY LIMITING CONDITIONS			
FLANGED PN63 *	FLANGED PN40 / ANSI 300 *	FLANGED ANSI 150 **	RELATED TEMP.
ALLOW. PRES.	ALLOW. PRES.	ALLOW. PRES.	
63 bar	40 bar	19,3 bar	50 °C
55,5 bar	35 bar	15,8 bar	150 °C
48 bar	30,4 bar	12,1 bar	250 °C
43,5 bar	27,6 bar	10,2 bar	300 °C

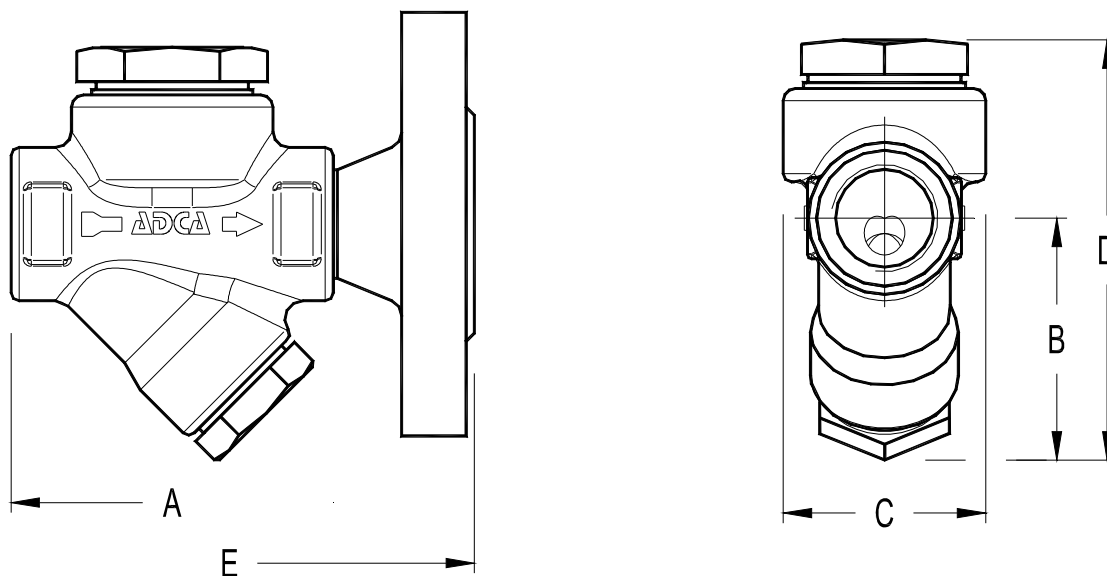
PMO - Max. operating pressure 42 bar

TMO - Max. operating temperature 300 °C

\* Rating according to EN1092-1:2007 \*\* Rating according to EN1759-1:2004

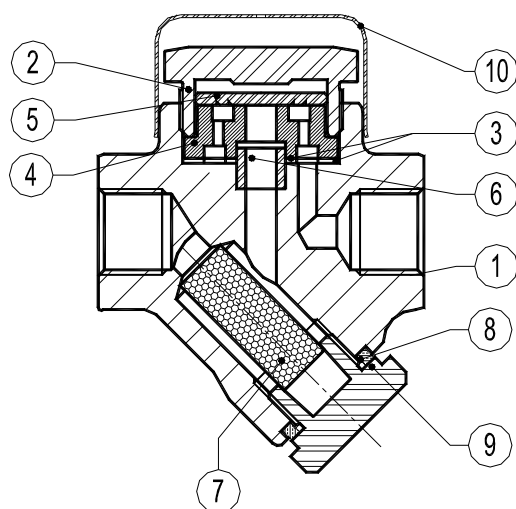
Note: Body limiting conditions PN63 or below, depending on the type of connection adopted. Rating PN63 for thread, SW and BW.

FLOW RATE CAPACITY IN Kgs/h														
MODEL	SIZE DN	DIFFERENTIAL PRESSURE (bar)												
		0,5	1	3	6	9	12	15	18	21	24	30	35	42
DT 42S	1/2"-15	200	210	350	480	580	660	740	800	850	910	1020	1100	1200
DT 42S	3/4"-20	310	320	520	720	860	980	1050	1175	1220	1350	1500	1600	1750
DT 42S	1"-25	470	485	800	1100	1310	1500	1750	1800	1950	2100	2300	2480	2720



DIMENSIONS (mm)													
Screwed and SW *						EN PN16/PN40		EN PN63		ANSI 150		ANSI 300	
SIZE DN	A	B	C	D	WGT. Kgs	E	WGT. Kgs	E	WGT. Kgs	E	WGT. Kgs	E	WGT. Kgs
15-1/2"	80	56	46	96	1	150	2,5	150	3,4	150	2	150	2,8
20-3/4"	80	56	52	105	2	150	3,3	150	4,3	150	2,6	150	3,9
25-1"	98	56	62	115	1,8	160	4,4	160	7,2	160	4	160	5,4

\* BW (butt weld) on request.



MATERIALS		
POS.Nr.	DESIGNATION	MATERIAL
1	Body	P250GH / 1.0460
2	Cover	AISI 304 / 1.4301
3	*Gasket	Graphite
4	*Seat	Hardened St.Steel
5	*Valve disc	Hardened St.Steel
6	*Tube	AISI 304 / 1.4301
7	*Strainer screen	AISI 304 / 1.4301
8	*Gasket	StainlessSt./Graphite
9	Plug	A105 / 1.0432
10	Insulating Cap	AISI 304 / 1.4301

\*Available spare parts.