

BLOWDOWN VALVE BDV

DESCRIPTION

The BDV blowdown valve is an optional supplied with integral strainer steam traps to protect the trap from contamination through the manual discharge of strainer contents. The device is applied to the following models:

- DT42S, DT32, TH32, BM20, BM32 and CDV.

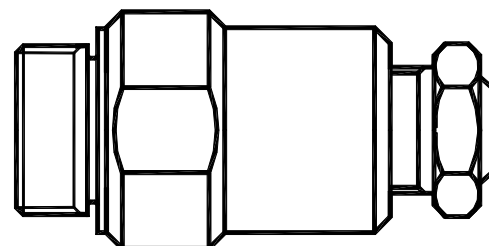
USE: Discharge of strainer screen contents

AVAILABLE

MODELS: BDV-M22; BDV-M28 and BDV-10

SIZES: M22 ; M28 and 3/8"

CONNECTIONS: Threaded (metric and NPT)


Limiting conditions:

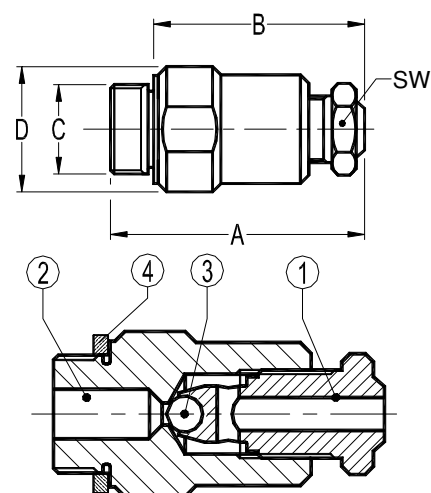
PMA – Max. allowable pressure 63 bar

TMA – Max. allowable temperature 400 °C

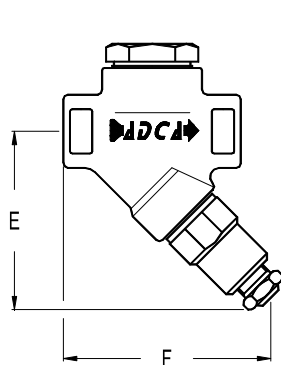
DIMENSIONS (mm)-Screwed						
MODEL	A	B	C	Ø D	SW	WGT. Kgs
BDV-M22	60	51	M22	29	19	0,2
BDV-M28	60	51	M28	29	19	0,27
BDV-10	60	51	3/8"	40	19	0,18

MATERIALS		
POS.Nr.	DESIGNATION	MATERIAL
1	Screw	AISI 304 / 1.4301
2	Body	AISI 304 / 1.4301
3	Ball valve	AISI 440C / 1.4125
4	Gasket	St.St./Graphite

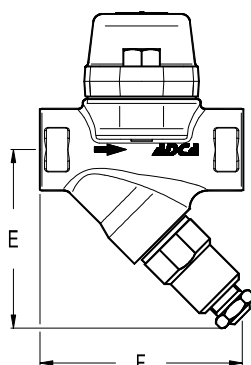
*Available spare parts.



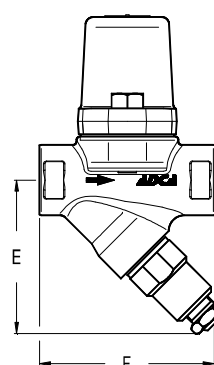
DIMENSIONS WHEN APPLIED TO STEAM TRAPS (mm)												
SIZE DN	TRAP MODEL											
	DT42S		DT32		TH32		BM20		BM32		CDV	
	E	F	E	F	E	F	E	F	E	F	E	F
1/2" - 15	80	94	83	94	83	94	83	94	83	94	83	94
3/4" - 20	80	94	83	94	83	94	83	94	83	94	83	94
1" - 25	90	103	83	94	83	94	83	94	83	94	83	94



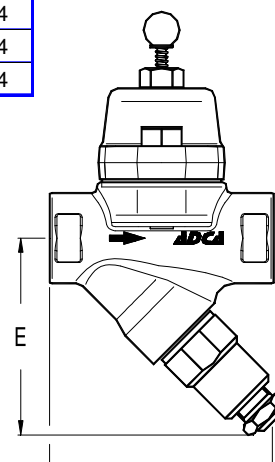
DT42S



DT32 / BM20 / TH32



BM32



CDV