

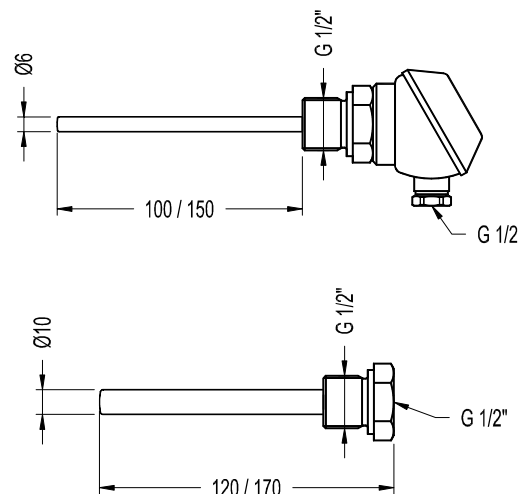
## RESISTANCE THERMOMETER FOR LIQUID MEDIA WITH TERMINAL HEAD FORM B PT100

### DESCRIPTION

Screw-in resistance thermometer with terminal head.

### MAIN FEATURES

Terminal head: form B, DIN 43 729  
 Max. ambient temperature: 100 °C  
 Max. media temperature: 400 °C  
 Connection: R 1/2"  
 Immersion length: 100 and 150mm.



## DIRECT SOLENOID VALVE SV32C

### DESCRIPTION

3/2 Way solenoid valves are available as single station units. Standard valve is normally closed and comes with one plug.

### MAIN FEATURES

Port size: 1/4"  
 Fluid: compressed air (filtered through 40 microns filter elements)  
 Sectional area: 1,5mm<sup>2</sup>  
 Operating: Inner spring return  
 Max. pressure: 10 bar  
 Temperature range: -10 °C to 60 °C  
 Coil type: DIN  
 Protection: IP65 (DIN 40 050)  
 Standard voltage: 220VAC, 24 VDC, 24 VAC

