

HUMIDITY SEPARATORS S25/S PN16 – PN40

DESCRIPTION

S-25 series centrifugal separators remove moisture from steam and compressed air pipelines. Steam and compressed air passing through the separator and as a result of centrifugal forces, impact and swirling effects, separate the particles with a heavier specific gravity, such as water and oil droplets, moisture in suspension, dirt and scale.

The condensate collected at the bottom of the separator, must be automatically drained by a suitable steam or compressed air trap.

Connections are flanged.

MAIN FEATURES

Several possibilities of installation.

No moving parts.



OPTIONS: Zinc plated (compressed air)
Condensate flanged connection.

USE: Steam, compressed air and other gases

AVAILABLE MODELS: S25/S - carbon steel body.
S25/SZ - zinc plated body

SIZES: DN15 to DN300.

PIPE CONNECTIONS: Flanged EN1092-1 PN16 and PN40
ANSI Class 150 lbs and Class 300 lbs
Female screwed BSP or NPT on request.

INSTALLATION: Always with the condensate discharge pointing downwards.
See IMI, installation and maintenance instructions.

HOW TO SELECT: Generally, in an existing plant it is advisable to fit a separator of the same size of the pipe line. Pressure drop is normally negligible. For approximate pressure drop calculation please consult.



LIMITING CONDITIONS **											
Rating	Press. bar	Temp. °C	Rating	Press. bar	Temp. °C	Rating	Press. bar	Temp. °C	Rating	Press. bar	Temp. °C
PN16	16	50	ANSI Cl.150 lbs	16	50	PN25 ANSI CL.300lbs	25	50	PN40 ANSI CL.300lbs	40	50
	14	100		14	100		23	100		37	100
	13 *	195		13 *	195		20 *	216		31 *	239
	12	250		-	-		17	300		27	300

*PMO-Max.operating pressure for saturated steam. Minimum operating temp.: -10°C. Design code: AD-Merkblatt

** Rating according to EN1092:2007.

CE MARKING - GROUP 2 GASES CATEGORIES								
RATING	SIZE	CAT.	RATING	SIZE	CAT.	RATING	SIZE	CAT.
PN16	DN15 to DN25	SEP	PN25	DN15	SEP	PN40	DN15 to DN32	1
	DN32 to DN50	1		DN20 to DN40	1		DN40 to DN80	2
	DN65 to DN125	2		DN50 to DN100	2		DN100 to DN150	3
	DN150 to DN200	3		DN125 to DN150	3		DN200 to DN300	4
	DN250 to DN300	4		DN200 to DN300	4		-	-

CE Marking

This product have been designed for use on water steam, air and other gases which are in Group 2 of the PED-European Pressure Equipment Directive 97/23/EC and it comply with those requirements. The product carries the CE mark when falling in category 1 and above.

APPROXIMATE DIMENSIONS (mm)												
FLANGED EN1092-1 - ANSI												
SIZE DN	A PN16	A PN25	A PN40	A 150lbs	A 300lbs	B	C	D	E	F	VOL. * dm3	WGT ** Kg
15	230	230	230	250	259	114	260	190	70	1/2"	2	5
20	230	230	230	255	264	114	260	185	75	1/2"	2,5	6
25	230	230	230	262	274	114	300	200	100	1/2"	3	7
32	260	260	260	290	306	140	395	285	110	1/2"	5	12
40	260	260	260	294	307	140	435	325	110	1/2"	5,7	13,8
50	310	310	310	341	354	168	505	385	120	1/2"	10,5	19,5
65	380	394	394	430	442	219	550	410	140	3/4"	18,5	32
80	400	416	416	440	459	219	610	462	148	3/4"	25	38
100	485	511	511	533	553	273	715	528	187	3/4"	35,4	57
125	535	561	561	605	622	324	845	630	215	1"	50	81,5
150	565	605	605	643	662	356	962	692	270	1"	75	153
200	605	641	657	685	703	406	1170	880	290	1"	140	195
250	720	756	790	784	815	508	1540	1140	400	1 1/2"	280	321
300	840	868	914	913	944	610	1700	1172	528	1 1/2"	400	465

* Volume correspond to the class PN16 design.Classes PN25 and above may have slightly lower volumes.

** Weight correspond to the class PN16 design.

F-screwed drain connection as standard.Alternatively can be supplied flanged EN1092-1 or ANSI on the same class of main dimensions.

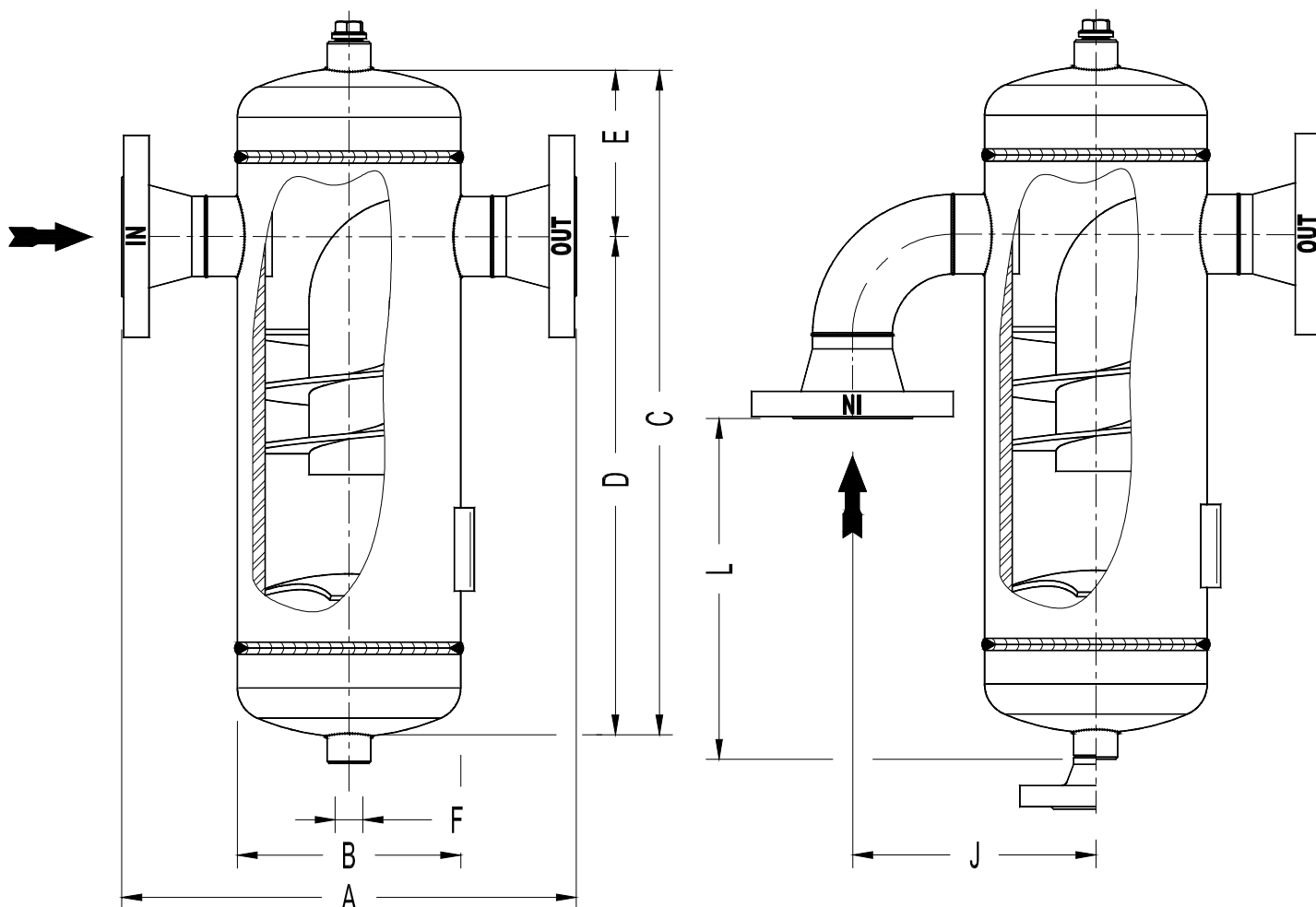
Consult factory for certified dimensions. Dimensions subject to change without notice.

Note: the top of separator is supplied with a threaded connection with size not exceeding the size of drain one. This connection is always supplied closed with a threaded socket. It can be used for air vent or balancing pipe connection.

MATERIALS		FLANGE CONNECTIONS			
DESIGNATION	MATERIAL	Rating	Sep. SIZE	EN STD.	ANSI STD.
Body	EN10216-2 / P235GH / 1.0325	PN16	* DN15 to DN50	EN1092-1 PN40	ANSI B16.5 Cl.150 lbs
Heads	EN10028-2 / P265GH / 1.0425	PN16	DN65 to DN300	EN1092-1 PN16	ANSI B16.5 Cl.150 lbs
Inlet / Outlet pipes	EN10216-2 / P235GH / 1.0325	PN25	DN15 to DN150	EN1092-1 PN40	ANSI B16.5 Cl.300 lbs
EN flanges	EN10222-2 / P250GH / 1.0460	PN25	DN200 to DN300	EN1092-1 PN25	ANSI B16.5 Cl.300 lbs
ANSI flanges	ASTM A105 / 1.0432	PN40	DN15 to DN300	EN1092-1 PN40	ANSI B16.5 Cl.300 lbs
Sockets	ASTM A105 / 1.0432				
Internals	EN10025-2 / S235JR / 1.0038				

* Flanges EN 1092-1 PN16 and PN40 from DN15 to DN50 has the same number and size of holes.

EN10204 3.1 certificate available if requested with the order.



EVH-Elbow vertical inlet / horizontal outlet