

SAMPLE COOLERS SC332 – SC432 – SC532

DESCRIPTION

ADCA sample coolers are specially designed to cool samples of boiler water or steam for analysis. Sample coolers prevent steam flashing-off from hot pressurised liquid samples, which can be dangerous and will result in an incorrect water sample. This device may be used for boiler water analysis and other sampling or cooling applications compatible with construction materials.

MAIN FEATURES

Corrosion-resistant body and internals.
Counter-current flow for better performance

OPTIONS:

Sample inlet valve.
Cooling water inlet valve.
Temperature indicator
Bolted top plate.
Different connection sizes and materials under request against extra price.

USE:

Steam boilers and hot water systems.

AVAILABLE MODELS:

SC332/SS – SC432/SS – SC532/SS - stainless steel body and coil.

SIZES AND
CONNECTIONS :

SC332 and SC332H
Cooling water inlet/outlet : 1/2" (BSP or NPT)
Sample tube inlet/outlet : 10 mm O/D
SC432 and SC532 ; SC432H and SC532H
Cooling water inlet/outlet : 3/4" (BSP or NPT)
Sample tube inlet/outlet : 10 mm O/D

INSTALLATION:

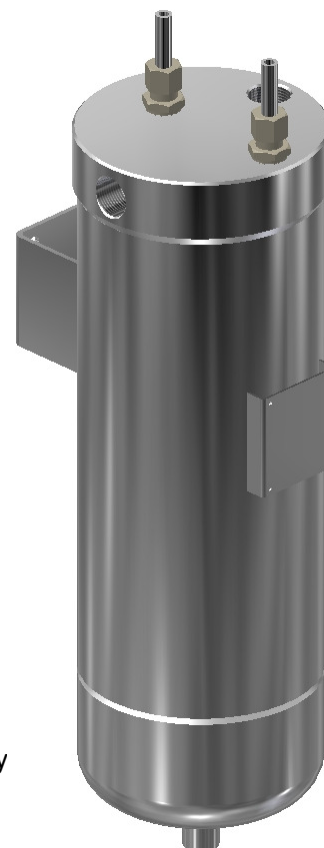
Vertical installation.

OPERATION:

Cooling water must be in its maximum flow before open or close the sample inlet valve, in order to avoid the risk of scalding.
The sample valve must also be closed before the cooling water valve.

PERFORMANCE:

30 to 60 kg/hr of sample water at $\approx 30^{\circ}\text{C}$ with 15°C inlet cooling water, for certified figures please consult.



LIMITING CONDITIONS							
SC332 - SC432 - SC532				SC332H - SC432H - SC532H			
BODY		COIL		BODY		COIL	
Pressure bar	Related Temp. °C	Pressure bar	Related Temp. °C	Pressure bar	Related Temp. °C	Pressure bar	Related Temp. °C
20	120	130	300	20	120	280	300
		120	400			268	400
		110	450			260	450
		100	500			245	550

Minimum operating temperature : -10°C

Design code : AD - Merkblatt

DIMENSIONS (mm)

MODEL	A	B	C	D	E	F	WGT Kg
SC332	90	610	15	18	35	35	9
SC432	140	585	20	30	55	55	18,3
SC532	140	685	20	30	55	55	22,3

Note: same dimensions for the version "H" (higher temperature)

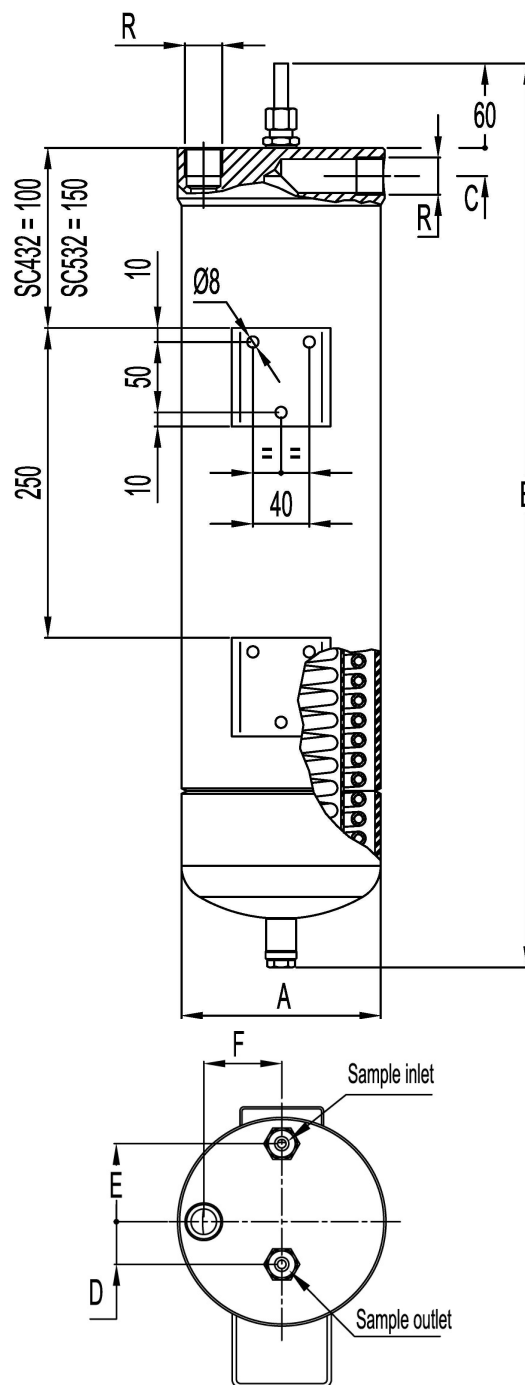
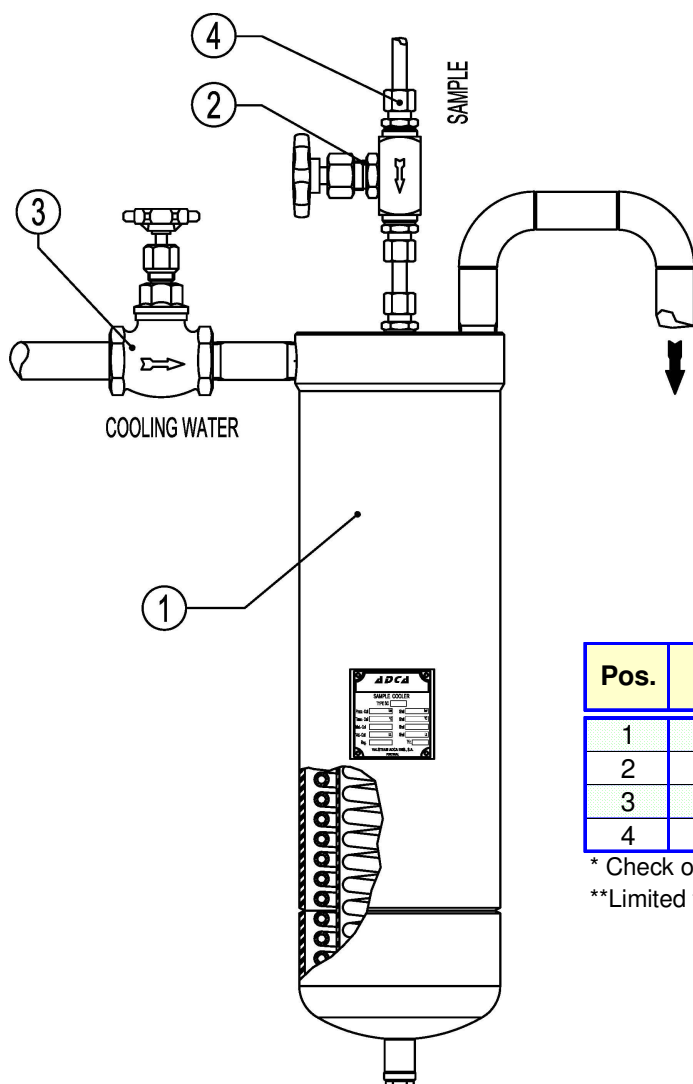
MATERIALS

DESIGNATION	MATERIAL
	SC332 - SC432 - SC532
Body	AISI 304 / 1.4301 or AISI 316 / 1.401
Cover	AISI 304 / 1.4301 or AISI 316 / 1.401
Coil	AISI 316Ti / 1.4571
Compression fittings *	Fe / Zn 12 - ISO 2081 - Cl. L
Discharge tube	AISI 316Ti / 1.4571

EN10204 3.1 certificate available if requested with the order.

Same materials for the version "H", except the coil thickness.

* Stainless steel available against extra price


TYPICAL INSTALLATION


Pos.	Designation
1	Sample Cooler
2	* Sample inlet valve NV-400
3	Cooling water inlet valve ADCA GV32B
4	**Compression fitting 1/4"x10 (2x) Cl. S (316Ti / 1.4571)

* Check operating conditions, see catalogue

**Limited to max.400 °C