

## STEAM - WATER MIXERS ADCAMIX MX20

### DESCRIPTION

The steam/water Adcamix mixers provide cheap, instant source of low pressure hot water by using existing steam and cold water supplies.

The mixer incorporates a safety device to ensure that live steam cannot be accidentally ejected, even if for some reason the cold water supply fails.

The temperature of water at the outlet of the Adcamix is easily controlled by using water and steam valves fitted to the inlets.

Connections are female screwed.

### MAIN FEATURES

Safety device against accidentally steam ejection

Non return valves included

Complete stainless steel construction

Quiet operation

### OPTIONS:

Alternative steam valve if live steam is required, e.g. for sterilisation.

### ACCESSORIES:

Stainless steel pedestal.

Adjustable spray gun

Couple of steam/water valves

Hot water/steam hose

Stainless suspension for hose

### USE :

Saturated steam and cold water.

### AVAILABLE MODELS :

MX 20

### SIZES :

3/4" x 3/4"

### CONNECTIONS :

Female screwed ISO 7/1Rp (BS21)

### INSTALLATION :

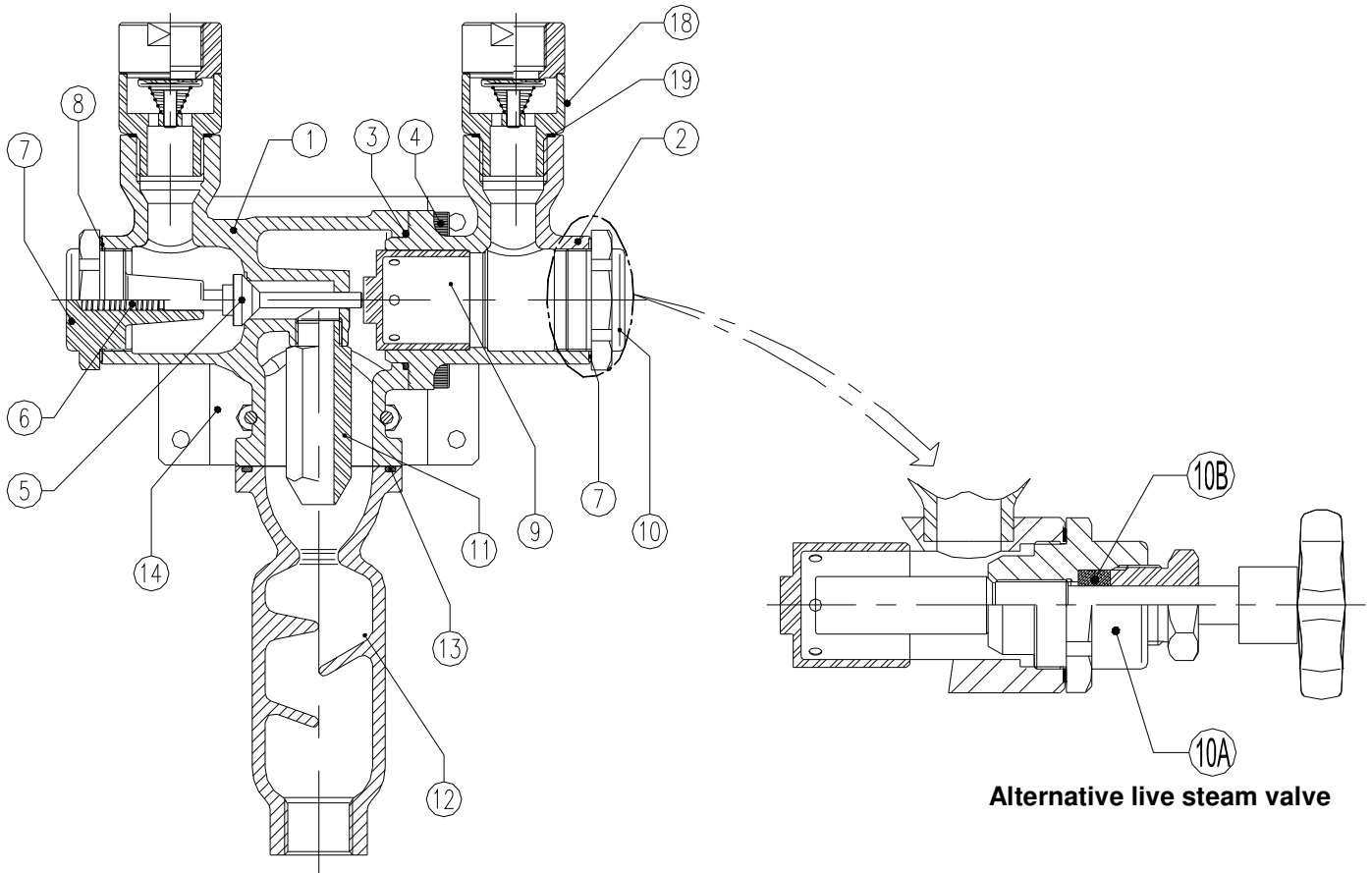
Vertical wall installation.

See IMI installation and maintenance instructions.



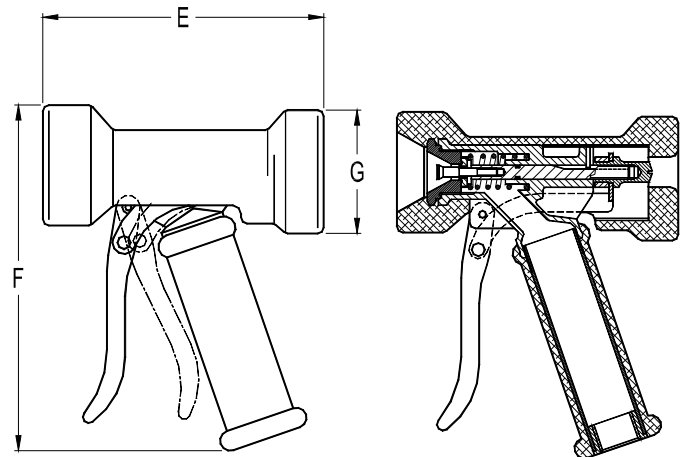
| FLOW RATE CAPACITY - HOT WATER FLOW l/h |                              |      |      |      |      |      |      |      |
|---|------------------------------|------|------|------|------|------|------|------|
| STEAM PRESSURE                          | HOT WATER OUTLET TEMPERATURE |      |      |      |      |      |      |      |
|   | bar                          | 40°C | 50°C | 60°C | 70°C | 80°C | 90°C | 95°C |
| 2,5                                     | 1900                         | 1400 | 1150 | 900  | 700  | 650  | 600  |      |
| 3                                       | 2250                         | 1600 | 1230 | 1030 | 900  | 800  | 700  |      |
| 4                                       | 2700                         | 2000 | 1550 | 1250 | 1000 | 850  | 800  |      |
| 5                                       | 3250                         | 2300 | 1800 | 1500 | 1250 | 900  | 850  |      |
| 6                                       | 3900                         | 2900 | 2250 | 1800 | 1500 | 1200 | 1100 |      |
| 7                                       | 4200                         | 3100 | 2400 | 1950 | 1600 | 1300 | 1200 |      |
| 8                                       | 4800                         | 3500 | 2700 | 2100 | 1800 | 1550 | 1280 |      |
| 9                                       | 5200                         | 3900 | 3000 | 2450 | 2000 | 1700 | 1600 |      |
| 10                                      | 5900                         | 4100 | 3250 | 2700 | 2250 | 1900 | 1750 |      |

| APPLICATION LIMITS   |         |
|--|---------|
| Minimum steam pressure   | 2,5 bar |
| Maximum steam pressure   | 10 bar  |
| <b>Steam pressure equal to or no more than 3 times the water pressure.</b> |         |
| <b>Water pressure must not be higher than steam pressure.</b>              |         |



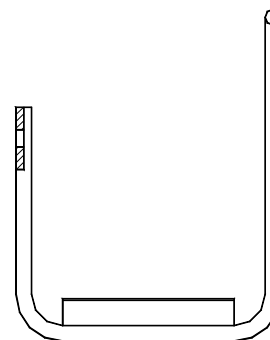
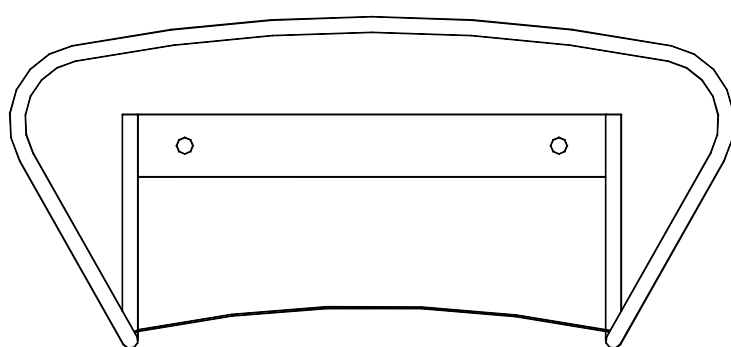
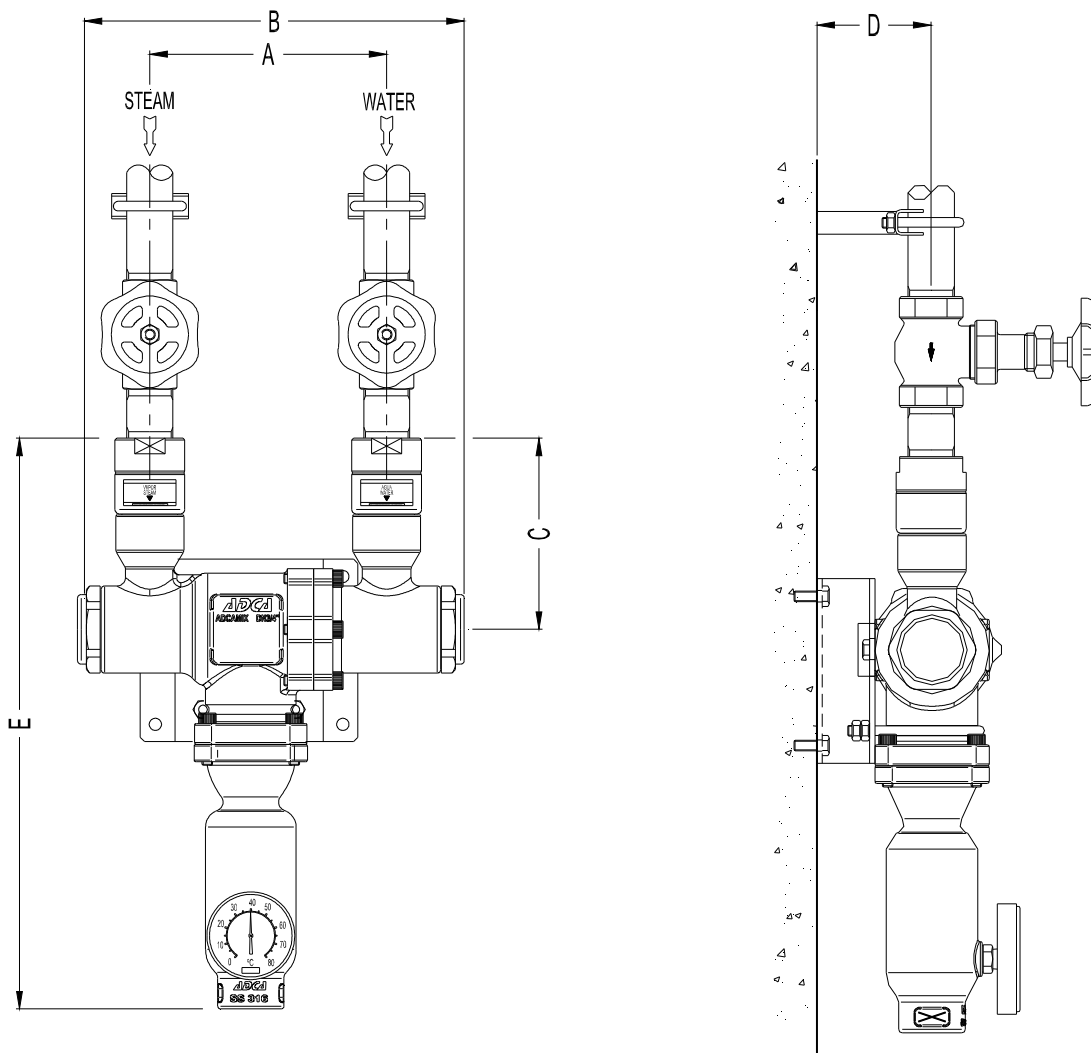
| MATERIALS |                |                   |
|-----------|----------------|-------------------|
| POS.      | DESIGNATION    | MATERIAL          |
| 1         | Steam body     | CF8M / 1.4408     |
| 2         | Water body     | CF8M / 1.4408     |
| 3         | * Gasket       | NBR               |
| 4         | Bolts          | A2-70             |
| 5         | * Steam valve  | St.St./Graphite   |
| 6         | * Valve spring | AISI 302 / 1.4300 |
| 7         | Steam cover    | AISI 316 / 1.4401 |
| 8         | * Gasket       | PTFE              |
| 9         | * Piston       | AISI 316 / 1.4401 |
| 10        | Water cover    | AISI 316 / 1.4401 |
| 10A       | Steam valve    | AISI 316 / 1.4401 |
| 10B       | * Paking       | PTFE              |
| 11        | Steam nozzle   | AISI 316 / 1.4401 |
| 12        | Mixing chamber | CF8M / 1.4408     |
| 13        | * Gasket       | VITON             |
| 14        | Support        | AISI 304 / 1.4301 |
| 18        | * Check valve  | AISI 316 / 1.4401 |
| 19        | * Gasket       | PTFE              |

\*Available spare parts



| SPRAY GUN DIMENSIONS (mm) |     |     |    |        |
|---------------------------|-----|-----|----|--------|
| MODEL                     | E   | F   | G  | Wgt Kg |
| SG20                      | 141 | 167 | 62 | 0,95   |

| VALVE DIMENSIONS (mm) |     |     |     |      |     |        |
|-----------------------|-----|-----|-----|------|-----|--------|
| DN                    | A   | B   | C   | D    | E   | Wgt Kg |
| 3/4"                  | 135 | 220 | 110 | 57,5 | 330 | 5,3    |



**Stainless steel suspension for hose**