

BALANCED PRESSURE THERMOSTATIC STEAM TRAP

Clean Steam Trap TSS 7

DESCRIPTION

The TSS 7 all stainless steel thermostatic steam traps and air eliminators are specifically designed for use in reactors, sterilizers and distribution lines in clean and pure steam systems.

The small size makes it ideal for use with a wide variety of this equipment.

MAIN FEATURES

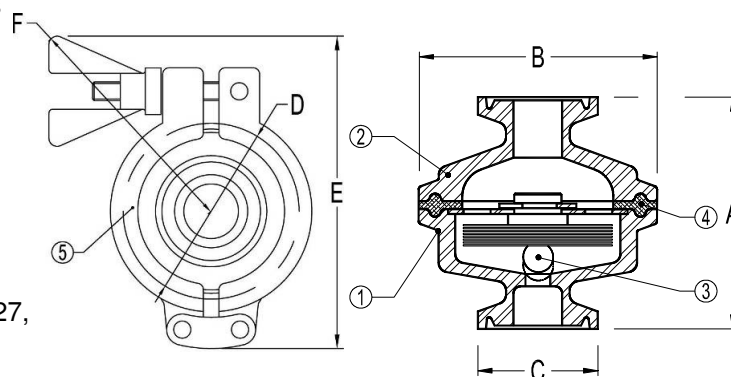
- Modulating discharge.
- Wide range of connections options
- Excellent air discharge.
- Simple and compact design.

STANDARD SURFACE FINISH

Internal surfaces: <0,5 microns Ra

External : 0,8 microns Ra

- OPTIONS:** Welded body and different designs under request.
- USE:** Saturated steam
- AVAILABLE MODELS:** TSS 7
- SIZES:** 1/2", 3/4" and 1".
- CONNECTIONS:** Clamp ends
Tube butt weld (DIN11850, ISO1127, other on request)
- INSTALLATION:** Vertical installation



PMA	Max. allowable pressure	10 bar
TMA	Max. allowable temperature	177 °C
PMO	Max. operating pressure	6 bar
TMO	Max. operating temperature	165 °C

DIMENSIONS (mm)							
SIZE DN	A	B	C	D	E	F	WGT. Kgs
1/2"	49	50,5	25,4	50	93	77	0,6
3/4"	49	50,5	25,4(34)	50	93	77	0,6
1"	53	50,5	50,5	50	93	77	0,7

Dimensions based on ASME BPE clamp ends

() ISO 1127 alternative, others on request.

MATERIALS		
POS.Nr.	DESIGNATION	MATERIAL
1	Body	AISI316L / 1.4404
2	Cover	AISI316L / 1.4404
3	* Thermostat	AISI316L / 1.4404
4	* Gasket	PTFE/TFM® Envelope gasket **
5	Clamp	Stainless steel

* Available spare parts; ** FDA Approved

FLOW RATE CAPACITY IN Kgs/h										
MODEL	SIZE	DIFFERENTIAL PRESSURE (bar)								
		0,2	0,3	0,5	1	1,5	2	3	4	6
TSS7	1/2" - 1"	60	80	90	160	210	280	490	550	760

Capacities shown refer to condensate at 5°C below saturated steam temperature .

Capacities for cold condensate discharge at 20°C are around two times greater.