

## BALANCED PRESSURE THERMOSTATIC STEAM TRAP

### Clean Steam Trap TSS 6 - Threaded

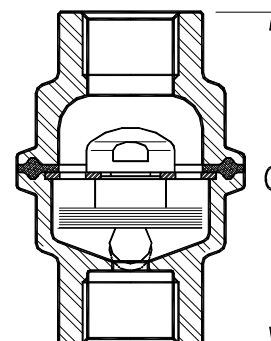
**DESCRIPTION**

The TSS 6 all stainless steel thermostatic steam traps and air eliminators are specifically designed for use in reactors, sterilizers and distribution lines in clean and pure steam systems.

The small size makes it ideal for use with a wide variety of this equipment.

**MAIN FEATURES**

- Modulating discharge.
- Wide range of connections options
- Excellent air discharge.
- Simple and compact design.


**STANDARD SURFACE FINISH**

Internal surfaces: <0,5 microns Ra

External : 0,8 microns Ra

**OPTIONS:** Welded body and different designs under request.

**USE:** Saturated steam

**AVAILABLE**

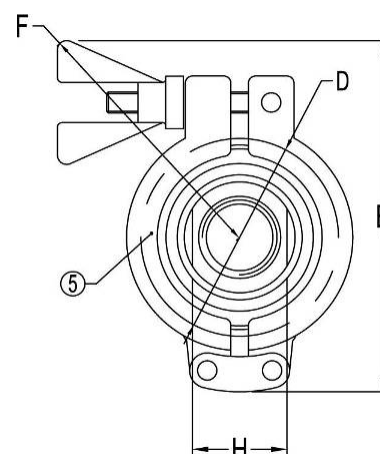
**MODELS:** TSS 6

**SIZES:** 1/2", 3/4" and 1".

**CONNECTIONS:** Female screwed ISO 7/1 RP (BS21)  
Tube butt weld (DIN11850, ISO1127, other on request)

**INSTALLATION:** Vertical installation

PMA	Max. allowable pressure	10 bar
TMA	Max. allowable temperature	177 °C
PMO	Max. operating pressure	6 bar
TMO	Max. operating temperature	165 °C



DIMENSIONS (mm)						
SIZE DN	D	E	F	G	H	WGT. Kgs
1/2"	50	93	77	74	27	0,7
3/4"	50	93	77	81	36	0,7
1"	50	93	77	95	40	0,8

MATERIALS		
POS.Nr.	DESIGNATION	MATERIAL
1	Body	AISI316L / 1.4404
2	Cover	AISI316L / 1.4404
3	* Thermostat	AISI316L / 1.4404
4	* Gasket	PTFE/TFM@ Envelope gasket **
5	Clamp	Stainless steel

\* Available spare parts; \*\* FDA Approved

FLOW RATE CAPACITY IN Kgs/h										
MODEL	SIZE	DIFFERENTIAL PRESSURE (bar)								
		0,2	0,3	0,5	1	1,5	2	3	4	6
TSS6	1/2" - 1"	90	135	200	400	500	700	900	1000	1400

Capacities shown refer to condensate at 5°C below saturated steam temperature .

Capacities for cold condensate discharge at 20°C are around two times greater.