

## SANITARY PRESSURE REDUCING VALVE P-130

### DESCRIPTION

The ADCA P-130 series **direct acting, spring-loaded diaphragm sensing**, pressure reducing valves, are designed for use on compressed air, water and other gases or liquids compatible with the materials of construction .

### MAIN FEATURES

Compact design.  
Completely machined from barstock material, no castings or forgings used on the standard version.  
No rising stem

### STANDARD SURFACE FINISH

Internal wetted parts: 0,5 microns Ra  
External :  
Body and cover– Fine machined  
(mechanical or electro polished as option)



### OPTIONS:

- Self relieving
- Leakage line connection 1/8" (captured vent).
- Panel mounting version (thread M45)
- Gauge connection on body
- Different soft valves for liquids and gases.
- Casted cover (CF8M) with rising stem handwheel for economic reasons.
- Special execution for steam.

### USE:

Compressed air, water and other gases and liquids compatible with the construction.

### AVAILABLE MODELS:

P-130

### SIZES:

DN1/2" to DN 1" ; DN15 to DN25

### OUTLET SPRING RANGES:

0,2 – 1,5 bar; 0,3 – 3 bar; 0,8 – 8 bar.

### CONNECTIONS:

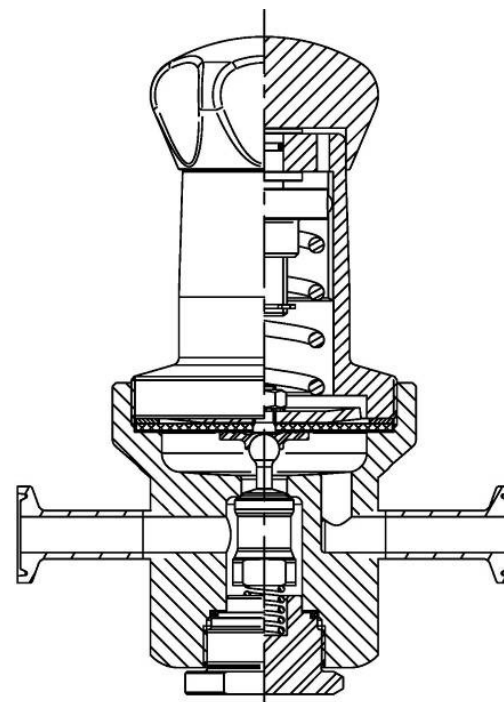
Clamp ends or others on request

### INSTALLATION:

Horizontal installation.

### ORDER REQUIREMENTS:

- Type of fluid
- Maximum operating temperature
- Inlet pressure and required outlet pressure
- Capacity (maximum and minimum).



CE MARKING (PED - European Directive 97/23/EC)	
PN 16	Category
DN1/2" to DN 1"	SEP - art. 3, paragraph3

LIMITING CONDITIONS	
Valve model	P-130
Body design conditions	PN 16
Max.upstream pressure	16 bar
Max.downstream pressure	8 bar
Min.downstream pressure	0,2 bar
Max.design temperature *	150 °C

\*Other on request.

**DIMENSIONS (mm)**

SIZE DN	A	B	C	D	WGT. Kgs
1/2" (15)	130	37	135	80	2,8
3/4" (20)	130	37	135	80	2,8
1" (25)	130	37	135	80	2,9

Dimensions based on ASME BPE clamped ends  
 Different dimensions and standards on request.  
 Consult factory for certified dimensions

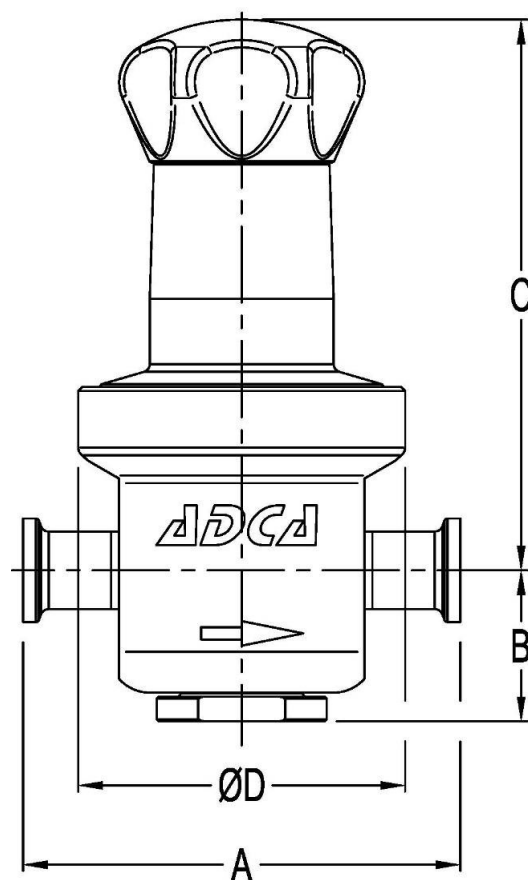
**CAPACITIES**

Valve Size	1/2" (15)	3/4"(20)	1" (25)
KVs (m3/h)	3	3,2	3,3

Reduced Kv on request

**Connection examples**

Clamp	Round thread	Flange


**MATERIALS**

POS.	DESIGNATION	MATERIAL
1	Valve body	AISI316L / 1.4406
2	Cover	AISI316L / 1.4404
3	Seat cover	AISI316L / 1.4404
4	* O-ring	Viton
5	*Piston	AISI316L / 1.4404
6	* Valve head	AISI316L / 1.4404 ; Viton ,PTFE
7	* Valve spring	AISI302 / 1.4300 ( Polished )
9	Pusher disc	AISI 316L / 1.4404
10	* Lower diaphragm	PTFE
11	* Upper diaphragm	EPDM
12	Washer	AISI304 / 1.4301
13	Spring plate	AISI304 / 1.4301
14	Nut	St.steel A2-70
15	* Adjustment spring	AISI302 / 1.4300
16	Spring plate	AISI304 / 1.4301
17	Adjustment screw	AISI304 / 1.4301
18	Retaining ring	St.steel A2-70
19	Handwheel	AISI316L / 1.4404
20	O-ring	EPDM

\* Available spare parts.

Remarks: FDA/USP Class VI seals certificate on request  
 All valves have a serial number. In case of non-standard valves this number must be supplied if spare parts are ordered.

