

INVERTED BUCKET STEAM TRAPS IB35S (Carbon steel / stainless steel) IB35SS (All stainless steel)

DESCRIPTION

IB35 series inverted bucket steam traps are recommended for all services where the most important requirements are overall operating efficiency and long, trouble-free service life. They operate intermittently, either wide open or tightly closed and are therefore best suited for service at medium and high steam pressures.

Connections are female screwed or flanged.

MAIN FEATURES

Intermittent discharge.

Discharges condensate at steam temperature.

Unaffected by water-hammer and vibrations.

Easy to maintain.

OPTIONS: Anti-freeze device
USE: Saturated and superheated steam.

AVAILABLE

MODELS: IB35S and IB35SS

SIZES: IB35S - DN 1/2" - DN 1"; DN15 - DN25
IB35SS - DN 1/2" - DN 3/4"; DN15 - DN20

CONNECTIONS: Female screwed ISO7/1 Rp (BS21)
Flanged EN 1092-1 PN40 or ANSI

INSTALLATION: Horizontal installation
See IMI installation and maintenance instructions.



| BODY LIMITING CONDITIONS | | | | |
|----------------------------|---------------------|----------------------------|---------------------|---------------|
| IB35S | | IB35SS | | RELATED TEMP. |
| FLANGED PN 40 / ANSI 300 * | FLANGED ANSI 150 ** | FLANGED PN 40 / ANSI 300 * | FLANGED ANSI 150 ** | |
| ALLOW. PRES. | ALLOW. PRES. | ALLOW. PRES. | ALLOW. PRES. | |
| 37,1 bar | 15,4 bar | 40 bar | 16 bar | 100 °C |
| 33,3 bar | 13,8 bar | 33,7 bar | 13,6 bar | 200 °C |
| 25,7 bar | 8,4 bar | 28,5 bar | 8,4 bar | 350 °C |
| 23,8 bar | 6,5 bar | 27,4 bar | 6,5 bar | 400 °C |

PMO - Max. operating pressure 27 bar ; TMO - Max. operating temperature 380 °C

* According to EN1092-1:2007 ; ** Acc. to EN1759-1:2004

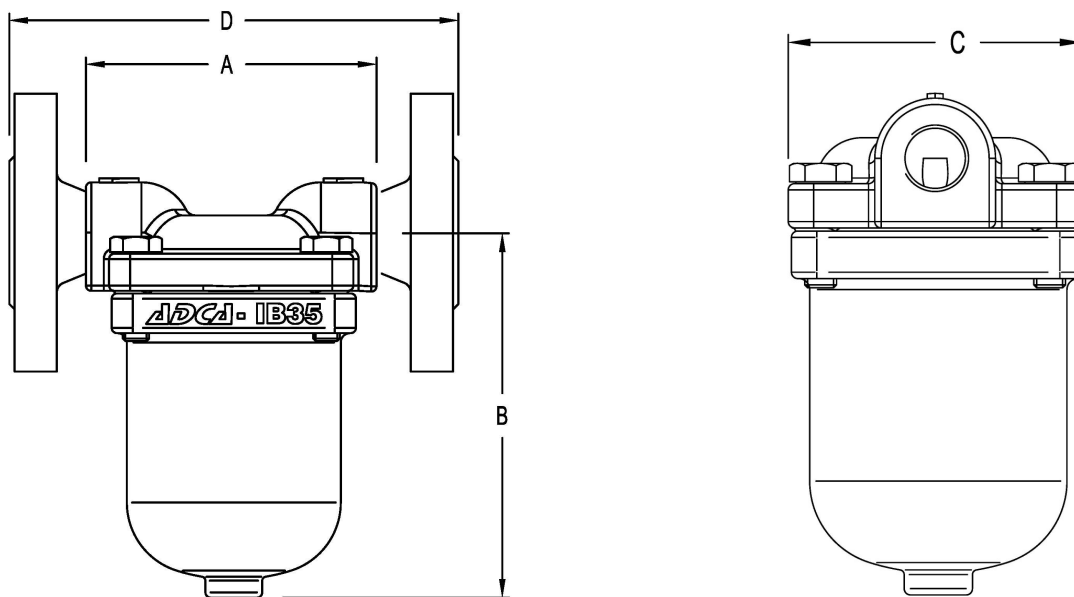
Body limiting conditions PN40 or below, depending on the type of connection adopted. Rating PN40 for thread, SW and BW.

MAX. DIFFERENTIAL PRESSURE

IB35S-17 – IB35SS-17 : 17 bar

IB35S-27 – IB35SS-27 : 27 bar

| FLOW RATE CAPACITY IN Kgs/h | | | | | | | | | | | | | | | | | | |
|-----------------------------|---------|-----------------------------|-----|-----|-----|-----|-----|-----|-----|-----|-----|-----|-----|-----|-----|-----|-----|-----|
| MODEL | SIZE | DIFFERENTIAL PRESSURE (bar) | | | | | | | | | | | | | | | | |
| | | 1 | 2 | 3 | 4 | 5 | 6 | 7 | 8 | 10 | 11 | 12 | 14 | 17 | 20 | 22 | 24 | 27 |
| IB35-17 | 15 - 25 | 140 | 180 | 200 | 215 | 225 | 235 | 240 | 250 | 265 | 270 | 275 | 280 | 400 | | | | |
| IB35-27 | 15 - 25 | 80 | 100 | 115 | 120 | 125 | 132 | 137 | 140 | 150 | 153 | 155 | 158 | 233 | 240 | 245 | 250 | 255 |



| DIMENSIONS (mm) | | | | | | | | | | |
|-----------------|-----|-----|----|----------|------------|----------|----------|----------|----------|----------|
| Screwed and SW* | | | | | EN PN16/40 | | ANSI 150 | | ANSI 300 | |
| SIZE DN | A | B | C | WGT. Kgs | D | WGT. Kgs | D | WGT. Kgs | D | WGT. Kgs |
| 15-1/2" | 110 | 125 | 92 | 2,3 | 170 | 3,8 | 170 | 3,3 | 170 | 4,1 |
| 20-3/4" | 110 | 125 | 92 | 2,3 | 170 | 4,3 | 170 | 3,7 | 170 | 5,3 |
| 25-1" | 110 | 125 | 92 | 2,3 | 180 | 4,9 | 180 | 4,5 | 180 | 6,1 |

* BW (butt weld) on request.

| MATERIALS | | | | |
|-----------|----------------------|-------------------|-------------------|--|
| POS.Nr. | DESIGNATION | IB35S | IB35SS | |
| 1 | Body | P250GH / 1.0460 | CF8M / 1.4408 | |
| 2 | Cover | CF8M / 1.4408 | CF8M / 1.4408 | |
| 3 | *Gasket | Graphite | Graphite | |
| 4 | *Seat | AISI 410 / 1.4006 | AISI 410 / 1.4006 | |
| 5 | *Valve | AISI 410 / 1.4006 | AISI 410 / 1.4006 | |
| 6 | *Lever | AISI 304 / 1.4301 | AISI 304 / 1.4301 | |
| 7 | *Bucket | AISI 304 / 1.4301 | AISI 304 / 1.4301 | |
| 8 | Inlet tube | AISI 304 / 1.4301 | AISI 304 / 1.4301 | |
| 9 | Bolts | A2 - 70 | A2 - 70 | |
| 10 | **Anti-freeze device | AISI 304 / 1.4301 | AISI 304 / 1.4301 | |

* Available spare parts

**Optional

