

COMPRESSED AIR BALL FLOAT TRAPS FA17/G (DN40 – DN50)

DESCRIPTION

FA17/G is a fully automatic ball float trap extremely compact in dimension and light in weight, specially designed for draining water from compressed air lines.

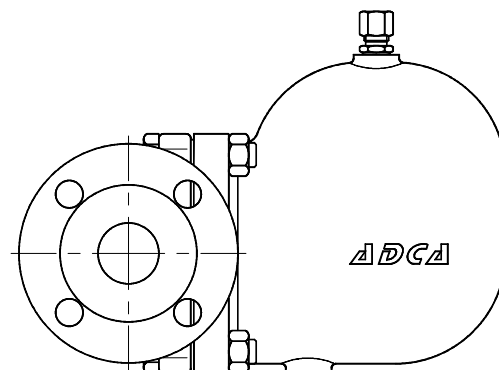
Applications on aftercoolers, separators and compressed air mains.

Connections are screwed or flanged.

MAIN FEATURES

Modulating discharge.

Unaffected by sudden or wide load and pressure changes.



OPTIONS: Horizontal reversible inlet connections.

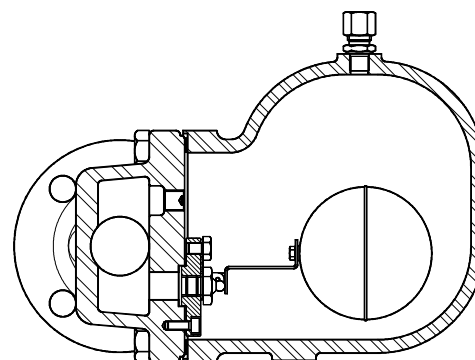
USE: Compressed air and non corrosive gas, compatible with the construction.

AVAILABLE MODELS: FA 17 G

SIZES: DN 1 1/2" -2"; DN 40 – DN 50.

CONNECTIONS: Female screwed ISO 7/1 Rp (BS21)
Flanged EN 1092-2 PN16 or ANSI

INSTALLATION: Standard horizontal installation-flow from right to left (R-L).
Vertical installation with the flow from top to bottom (V).
See IMI installation and maintenance instructions.



APPLICATION LIMITS	
Min.Liquid specific weight	0,75 Kg/dm3
Maximum working dif.pressure	14 bar

BODY LIMITING CONDITIONS		
FLANGED PN16*	FLANGED ANSI 150 **	RELATED TEMP.
ALLOW. PRES.	ALLOW. PRES.	
16 bar	15,4 bar	100 °C
15,5 bar	14,6 bar	150 °C
14,7 bar	13,8 bar	200 °C
13,9 bar	12,1 bar	250 °C

PMO - Max. operating pressure 14 bar

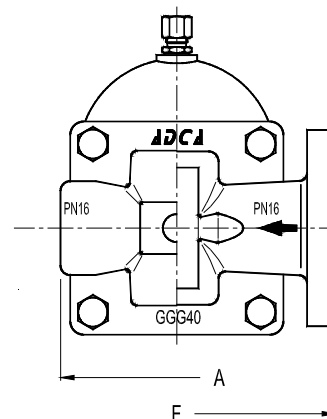
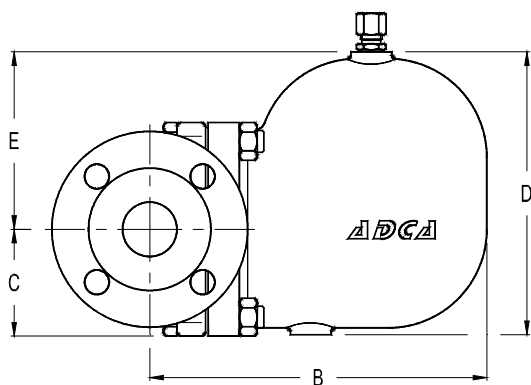
TMO - Max. operating temperature 200 °C

* According to EN1092-2:2000 ; ** Acc. to EN1759-1:2004

Body limiting conditions PN16 or below, depending on the type of connection adopted. Rating PN16 for thread.

FLOW RATE CAPACITY IN Kg /h														
MODEL	SIZE	DIFFERENTIAL PRESSURE (bar)												
		0,5	1	1,5	2	3	4	6	7	8	9	10	12	14
FA17G	40 - 50	370	515	605	720	900	1005	1250	1340	1500	1560	1620	1750	1890

DIMENSIONS (mm)												
Screwed							EN PN16			ANSI 150		
SIZE DN	A	B	C	D	E	WGT. Kgs	F	B	WGT. Kgs	F	B	WGT. Kgs
40-11/2"	210	248	79	208	131	16,9	230	248	20,3	230	248	19,1
50-2"	210	248	79	208	131	17,5	230	248	20,7	230	248	20,5



MATERIALS		
POS.Nr.	DESIGNATION	MATERIAL
1	Body	GJS-400-15 / 0.7040
2	Cover	GJS-400-15 / 0.7040
3	* Gasket	St.Steel / Graphite
4	* Seat	AISI 304 / 1.4301
5	* Valve	AISI 304 / 1.4301
6	* Lever	AISI 304 / 1.4301
7	* Float	AISI 304 / 1.4301
8	Plug	St. Steel
9	Bolts	Steel 8.8

*Available spare parts.

