

HYGIENIC BALL VALVES M3H TRUE BORE (DN 1/2" – 2" ASME BPE)

DESCRIPTION

M3H three pieces body ball valves are isolating valves designed for use with clean steam, condensate and other gases and liquids used in high purity and aseptic processes.

The valve is not designed as a control valve and should only be used as an isolating valve, fully open or fully closed.

The product is mainly designed for the pharmaceutical, biotech, semiconductor, cosmetics, fine chemical, food and beverage industries.

MAIN FEATURES

True bore floating ball design.

A351 CF3M body and ends with ferrite content of less than 3% and low sulphur between 0,005 and 0,017%.

Can be serviced without removal from pipeline.

Bidirectional.

Anti blow out proof stem.

ISO 5211 mounting.

STANDARD SURFACE FINISH

Internal wetted parts: ≤ 0,51 micron Ra – SF1.

External: as casted.

Ultrasonic cleaning.

OPTIONS: Antistatic device.
Different sealing materials.
Degreased for oxygen use.

USE: Clean steam, gases and liquids compatible with the construction.

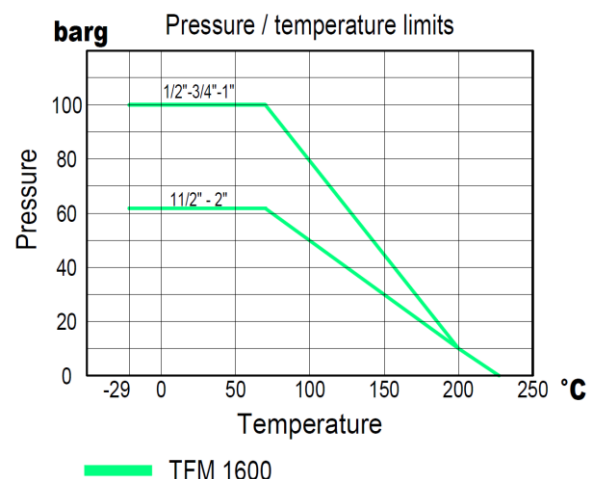
AVAILABLE MODELS: M3H – Complete bar stock construction.

SIZES: 1/2" to 2".

CONNECTIONS: According to ASME BPE.
TC – Sanitary clamps.
ETO – Extended tube orbital welding.
TC / ETO – Combination.

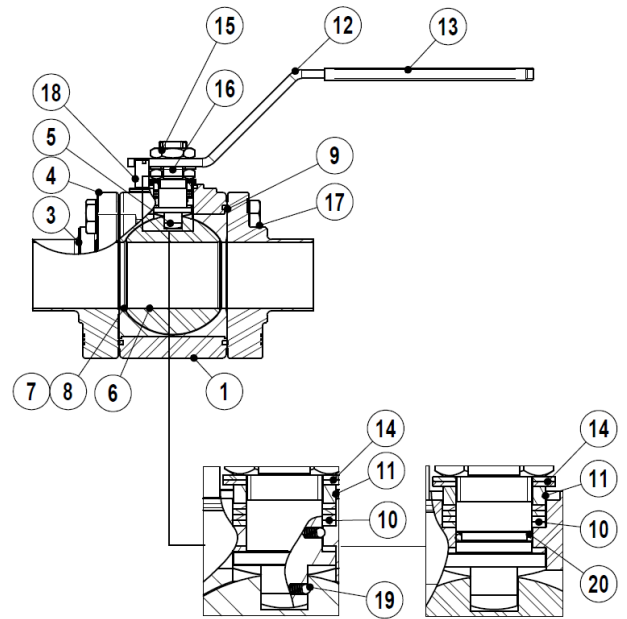
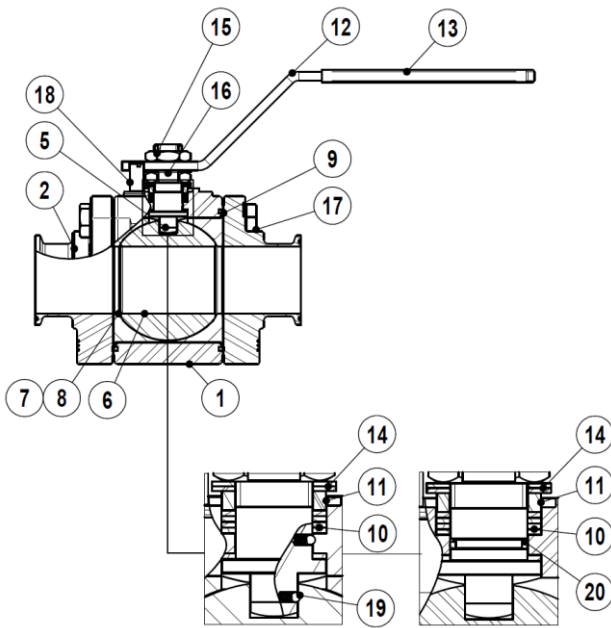
PACKAGING: Assembling and packaging in a clean room certified according to ISO 14644-1.
The product is end capped and vacuum sealed with recyclable plastic film to avoid contamination.

INSTALLATION: See IMI, installation and maintenance instructions.



Working pressure may be limited by the valve connections.

CE MARKING - GROUP 2 (PED - European Directive)		
PN 100	PN 64	Category
1/2" to 1"	/	SEP
/	1 1/2" - 2"	1 (CE Marked)



MATERIALS

POS.	DESIGNATION	MATERIAL
1	Valve body	CF3M / 1.4409
2	TC end connection	CF3M / 1.4409
3	Tube weld end conn.	CF3M / 1.4409 (Integral)
3	Tube weld end conn.	AISI316L / 1.4404 (360° rotation)
4	*** Flange	CF3M / 1.4409
5	Stem	AISI316L / 1.4404
6	* Valve ball	AISI316L / 1.4404
7	* Standard seat	TFM 1600
8	* Cavity filler seat	TFM 1600
9	Body seal	PTFE
10	* Stem seals	TFM 1600
11	* Spacer	AISI316 / 1.4401
12	Handle	AISI304 / 1.4301
13	Handle sleeve	Vinyl
14	* Spring washers	AISI304 / 1.4301
15	Compression nut	AISI304 / 1.4301
16	* Lock washer	AISI304 / 1.4301
17	Fixing bolt	AISI304 / 1.4301
18	Stop pin	AISI304 / 1.4301
19	** Antistatic device	AISI316 / 1.4401
20	* O-ring	VITON

* Available spare parts. ** On request

*** Loose flange only applied on the 360° rotation version optional

Remarks: FDA/USP Class VI seals certificate on request

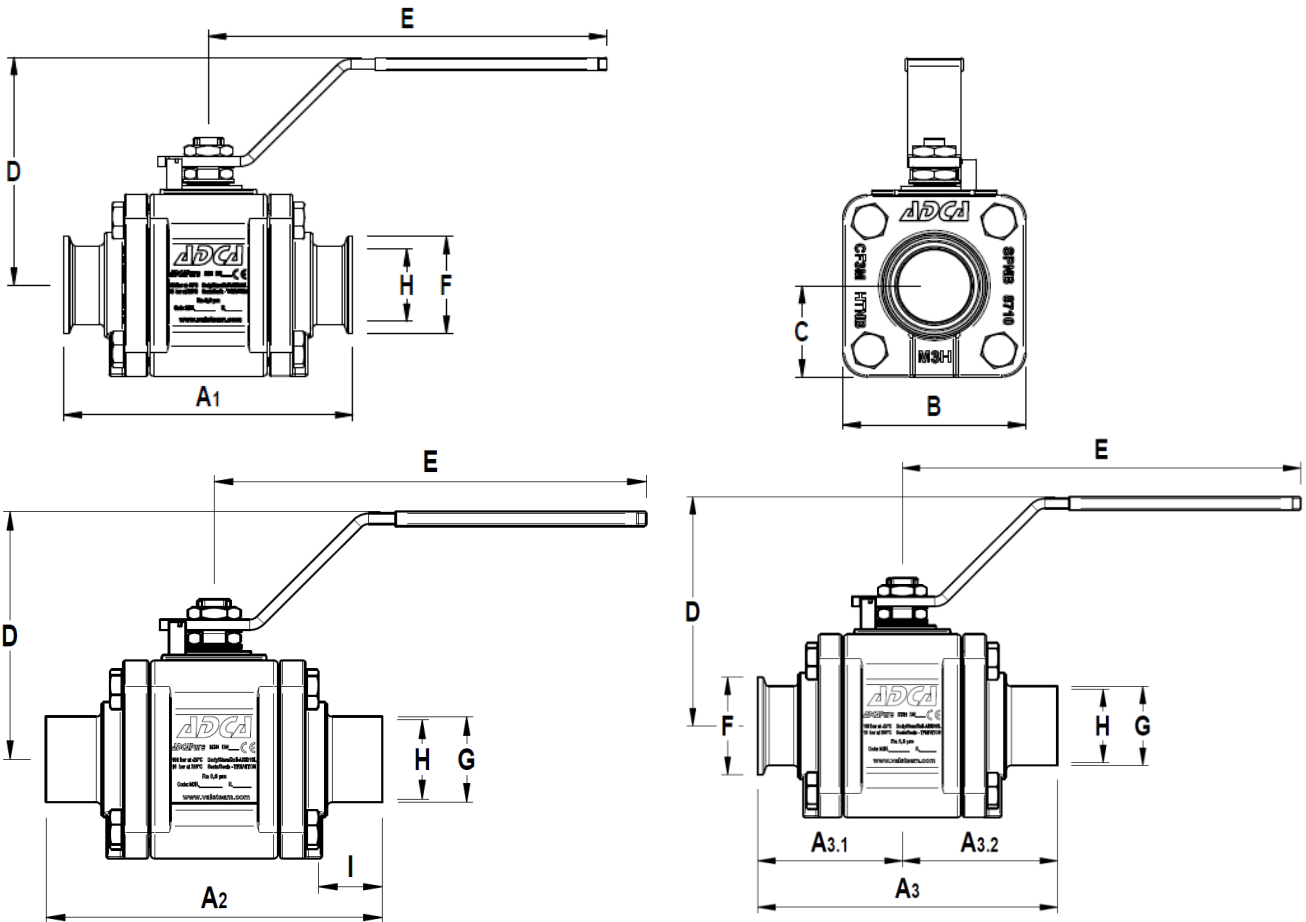
All valves have a serial number. In case of non-standard

valves this number must be supplied if spare parts are ordered.

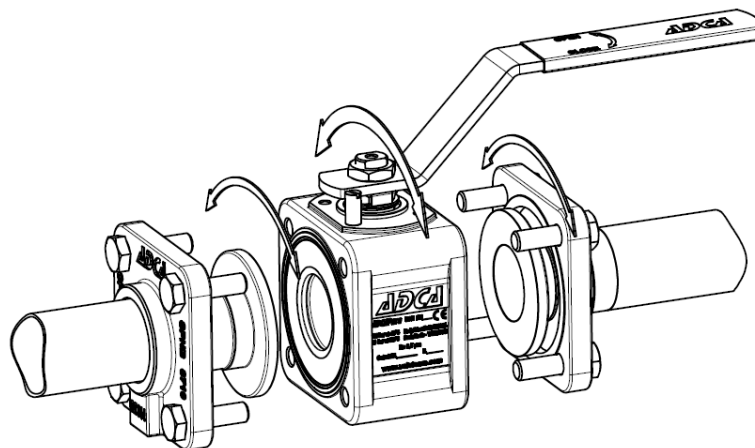


DIMENSIONS (mm)

SIZE	A1	A2	A3	A3.1	A3.2	B	C	D	E	Ø F	Ø G	Ø H	I	BALL PORT	ISO 5211	WGT. Kgs
1/2"	88,9	101,6	95,5	44	51,5	42	21	65	150	25	12,7	9,4	25	9,4	F03	0,42
3/4"	101,6	114,3	108	51	57	50	25	69	150	25	19,05	15,75	27	15,8	F03	0,99
1"	114,3	127	120,5	57	63,5	62	31	87	175	50,5	25,4	22,1	27	22,1	F04	2,1
1 1/2"	139,7	152,4	146,5	70	76,5	85	42,5	114	207	50,5	38,1	34,8	27	34,8	F05	4,3
2"	165,1	177,8	171,5	82,5	89	105	52,5	124	232	64	50,8	47,5	28	47,5	F05	7,3



Tube weld easy and quick installation - optional



Loose body flanges make it possible to install the valve without aligning of welded end connections. After installation the valve can rotate on 360° for the desired orientation.

ORDERING CODES M3H										
Valve model		MH	.	F	F			CB	.	15
M3H 3 pieces ball valve CF3M		MH								
Lever handle										
Flat lever handle stainless steel / plastic cover										(*)
Flat lever handle st. steel / plastic cover w/lockable system										3
Bare stem										9
Material										
CF3M 1.4409										(*)
Seat design										
Standard seats										(*)
Cavity fillers										F
Seat material										
TFM 1600										F
Special services / Options										
Standard surface finish (mechanical polishing)										(*)
Electropolishing										1
Oxygen cleaning										2
Antistatic device										
None										(*)
Antistatic device										A
End connections										
TC - Sanitary clamps ASME BPE										CB
ETO - Extended tube orbital w elding ASME BPE (integral non rotation design)										ITB
ETO - Extended tube orbital w elding ASME BPE (360° rotation)										TB
TC / ETO Combination ASME BPE (360° rotation)										CTB
Ball port										
True bore (standard)										(*)
Full bore										NA
Valve size										
1/2"										15
3/4"										20
1"										25
1 1/2"										40
2"										50
Special valves / Extras b)										E

(*) Omitted if a standard valve is requested

b) Full description or additional codes have to be added in case of non-standard combination.

NA - Not available