

AUTOMATIC PUMP AND STEAM TRAP ADCAMAT APST DN40 – DN50

DESCRIPTION

The ADCAMAT APST (Automatic Pump and Steam Trap) fabricated in carbon steel or stainless steel is specially recommended where a stall condition may occur due to poor steam trap condensate discharge, caused by temporary insufficient differential pressure.

The equipment has the features of a float steam trap, combined with a pressure operated pump, in the same unit.

Whenever the steam trap function it's not enough to drain the condensate, the pump function is activated (using external steam pressure) before water logging may occur, lifting the condensate to the condensate return system, avoiding water hammer and consequent noise and equipment damage, corrosion, unstable temperature control, etc.

Connections are flanged



FUNCTION

During the start-up, the pump ball float mechanism is in the closed position (bottom position) and the motive steam valve is closed, while the vent line is open.

The steam trap mechanism is at this stage modulating the condensate flow as it increases, but if the differential pressure decreases and the condensate level goes up, the pump mechanism starts to work and at the upper level the steam motive valve opens, closing at the same time the vent valve and consequently pressing the condensate to the outlet through the steam trap mechanism.

After the pump cycle, if the necessary differential pressure is available again the steam trap will restart the operation, otherwise the pump option will remain active.

MAIN FEATURES :

- Non-electric requirements.
- No NPSH issues
- Operation under vacuum conditions
- Closed loop system, no motive or flash steam is lost.

OPTIONS:

- Stainless steel construction.
- Level gauge.

USE :

Drain and lift condensate from heat exchangers
(among others)

AVAILABLE MODELS :

- ADCAMAT APST-S - Carbon steel construction
- ADCAMAT APST-SS - Stainless steel construction

(Carbon steel version is sandblasted, metalized and black painted).

SIZES : DN40 x 40; DN50 x 50 ; DN1 1/2 x 1 1/2"; DN2" x 2"

CONNECTIONS : Flanged EN1092-1 PN16. Special flanges upon request.

INSTALLATION : Horizontal installation.
See IMI installation and maintenance instructions.

MOTIVE GAS : Saturated steam

CE Marking : This product have been designed for use on water, steam, air and other gases which are in Group 2 of the European PED- Pressure Equipment Directive in use and it complies with those requirements.

All the sizes fall within category 2.
The product carries the CE mark.

APPLICATION LIMITS

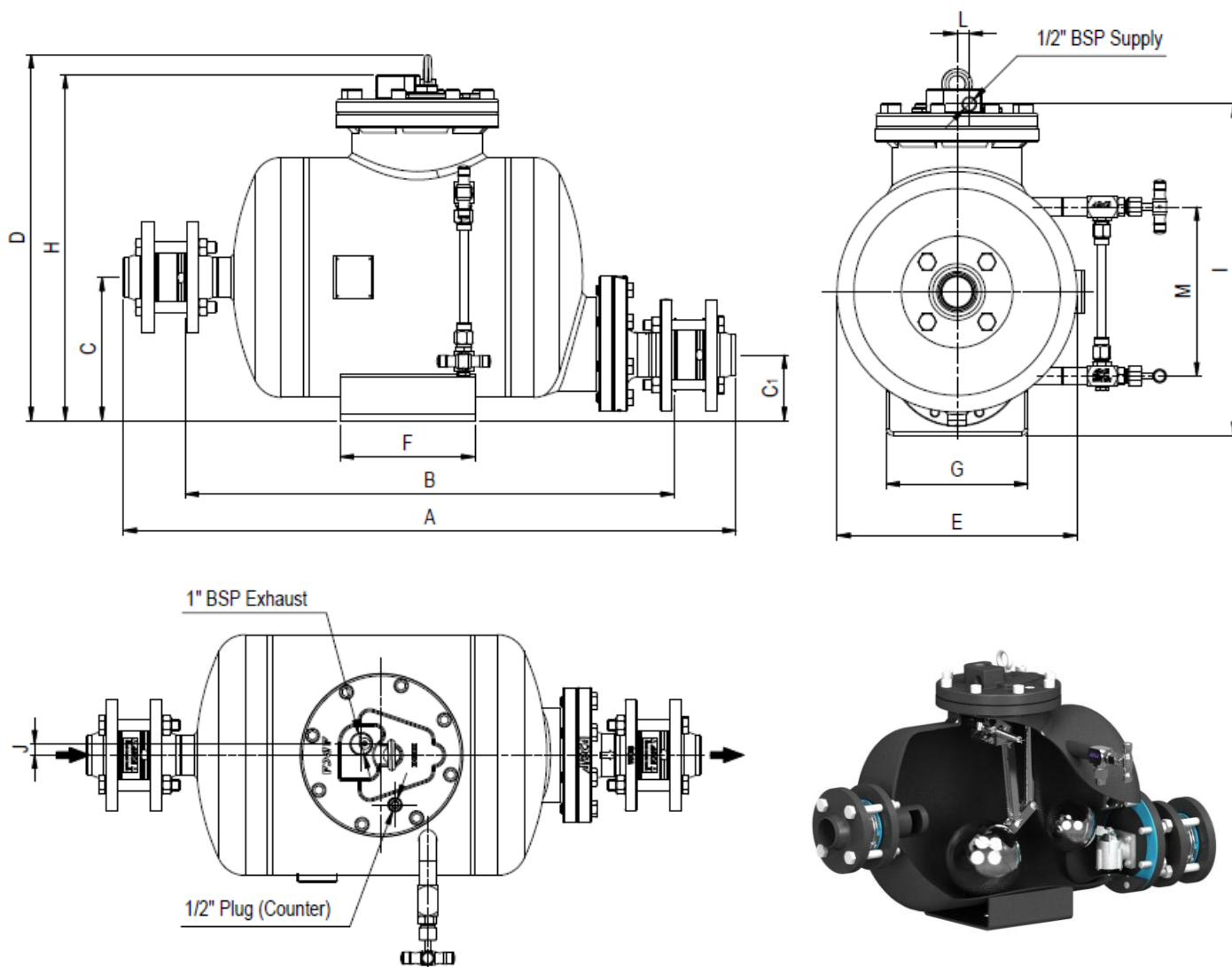
Minimum density	0,80 kg/dm ³
Maximum viscosity	5° Engler
Maximum motive pressure	10 bar
Minimum motive pressure	0,5 bar
Pump discharge per cycle	22 l

LIMITING CONDITIONS *

	APST-S		APST-SS		
	Press. bar	Temp. °C	Press. bar	Temp. °C	
PN16	16	50	PN16	16	50
	14	100		16	100
	13	195		13	195
	12	250		12	250
ANSI Cl.150	16	50	ANSI Cl.150	16	50
	13	195		13	195

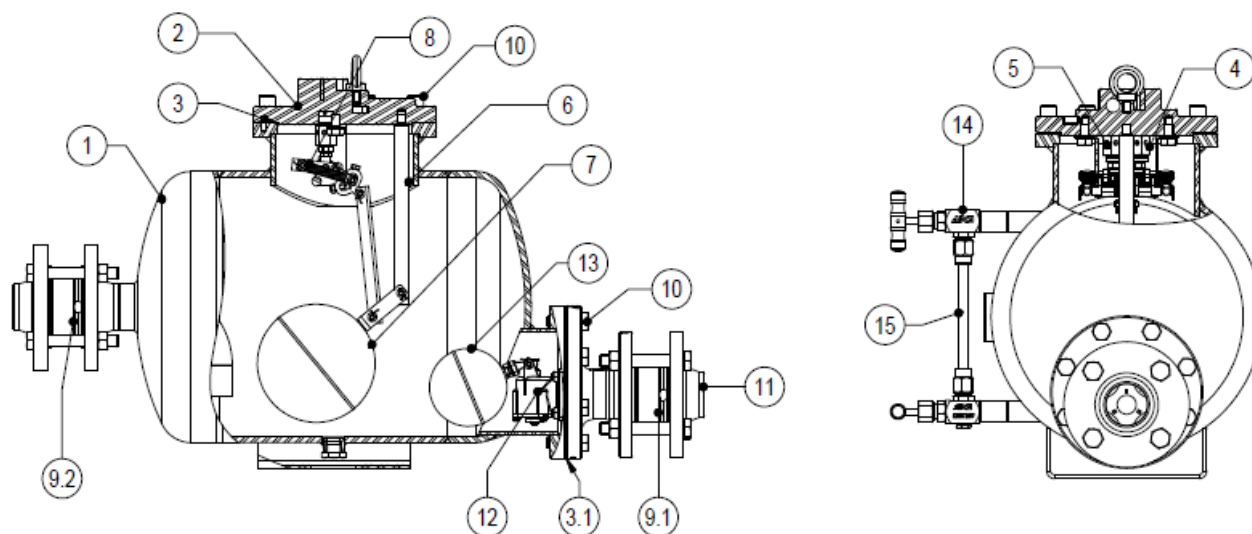
Minimum operating temp.: -10°C; Design code: AD-Merkblatt

* Rating according to EN1092:2007



DIMENSIONS (mm)															
DN	A *	B	C	C1	D	E	F	G	H	I	J	L	M	Weight Kgs	VOL. dm ³
40 x 40	883	721	212	97	542	356	200	210	512	490	17	18	250	81	57
50 x 50	910	726	212	97	542	356	200	210	512	490	17	18	250	84	57

* A - with welding neck EN 1092-1 flanges



MATERIALS			
POS.	DESIGNATION	MATERIAL - APST-S	MATERIAL - APST-SS
1	PUMP BODY	P265GH / 1.0425 ; P235GH / 1.0345 S235JR / 1.0038	AISI316 / 1.4401 ; AISI316L / 1.4406
2	TOP COVER	GJS-400-15 / 0.7040	CF8M / 1.4408
3	*COVER GASKET	NON ASBESTOS	NON ASBESTOS
3.1	*OUTLET COVER GASKET	NON ASBESTOS	NON ASBESTOS
4	*INLETVALVE/SEAT ASSY.	STAINLESS STEEL	STAINLESS STEEL
5	*EXHAUST VALVE/SEAT ASSY.	STAINLESS STEEL	STAINLESS STEEL
6	INTERNAL MECHANISM	STAINLESS STEEL	STAINLESS STEEL
7	*PUMP FLOAT	STAINLESS STEEL	STAINLESS STEEL
8	*SPRING ASSY.(2PCS)	INCONEL	INCONEL
9.1	*RD40 OUTLET CHECK VALVE	CF8M / 1.4408	CF8M / 1.4408
9.2	*RD40 INLET CHECK VALVE	CF8M / 1.4408	CF8M / 1.4408
10	BOLTS	STEEL 8.8	A2 - 70
11	**PN16 EN 1092-1 FLANGES	P250GH / 1.0460	AISI316 / 1.4401
12	*FLOAT TRAP MECHANISM	STAINLESS STEEL	STAINLESS STEEL
13	*STEAM TRAP FLOAT	STAINLESS STEEL	STAINLESS STEEL
14	LEVEL GAUGE COCKS	BRONZE / STAINLESS STEEL	STAINLESS STEEL
15	TUBE GLASS	BOROSILICATE	BOROSILICATE

* Available spare parts

** Welding neck EN 1092-1 flanges. Threaded flanges on request.

APST PUMP CAPACITY				
Motive Pressure bar	Total Lift bar	FLOW RATE IN Kg/h Installation with 300 mm filling head above the pump cover.		
		DN 40 x DN 40	DN 50 x DN 50	
		1	0,35	820
2	1050	3130		
3	1100	3530		
4	1150	3810		
5	1210	3880		
6	1250	3910		
8	1290	3960		
10	1300	3970		
2	1	800		2520
3		940		2960
4		1080	3130	
5		1110	3170	
6		1140	3220	
8		1180	3250	
10		1200	3290	
3		2	790	2440
4	900		2590	
5	1000		2800	
6	1140		2830	
8	1200		2850	
10	1220	2870		
4	3	750	2330	
5		860	2510	
6		910	2530	
8		970	2560	
10	980	2620		
5	4	730	2250	
6		840	2430	
8		920	2470	
10	940	2510		
6	5	710	2050	
8		770	2150	
10		880	2190	
7	6	730	1850	
8		790	1910	
10		880	2120	

Based on liquid specific gravity 0,9 - 1,0

CAPACITY MULTIPLYING FACTORS FOR OTHER FILLING HEADS				
PUMP SIZE	FILLING HEAD mm			
	150	300	600	900
ALL	0,7	1	1,2	1,35

Filling head measured from the bottom of the receiver or centreline of the heat exchanger, to the top of the cover mechanism.

Consult factory for receiver sizing.



APST STEAM TRAP FLOW RATE CAPACITY IN Kgs/h											
MODEL	SIZE	DIFFERENTIAL PRESSURE (bar)									
		0,1	0,3	0,5	0,7	1	1,5	2	4,5	7	10
APST-10	40 x 40	900	1500	1900	2300	2700	3100	3600	5000	6900	8100
APST-10	50 x 50	1800	3000	3900	4450	5000	6100	7100	10000	13750	16000
APST-4,5	50 x 50	2400	5900	7550	9050	11000	14000	15500	22500		

Important: motive pressure should not exceed the maximum available differential pressure at any circumstances.

Lower steam trap discharge capacity available on request.

Sizing and Installation

SIZING

For correct sizing, please provide:

1. Condensate load (maximum steam load).....Kg/h
2. The pressure of operating motive steambarg
3. The total lift or back pressure the pump will have to exhaust against. This includes the change in fluid level elevation after the pump (0.0981bar/m of lift), plus pressure in the return piping, plus the pressure drop in bar caused by pipe friction, and any other system component pressure drop the pump exhaust will have to overcome.
4. Installation head available from the base of the pump to the axis of equipment condensate outlet, if horizontal, or to the face of the outlet / bottom receiver , in case of vertical condensate outlet .
5. Maximum steam pressure on the process equipment (heat exchanger, for example)barg
6. Minimum temperature of the medium to be heated..°C
7. Controlled temperature of medium to be heated.....°C

RECEIVER

A receiver is recommended to temporarily hold the liquid and prevent any flooding of the equipment, while the pump is in the pumping cycle. A length of pipe of large diameter can be used.

INSTALLATION – Closed loop system

Fig.1 shows a typical installation example of ADCAMAT APST (Automatic Pump & Steam Trap) applied to a large capacity skid mounted ADCATHERM PWHU (Packaged Water Heating Unit).

Calculation methods : see IS 9.085 E

Fig.1

- S – Steam inlet
- C – Condensate return
- CW – Cold water inlet
- HW – Hot water delivery

