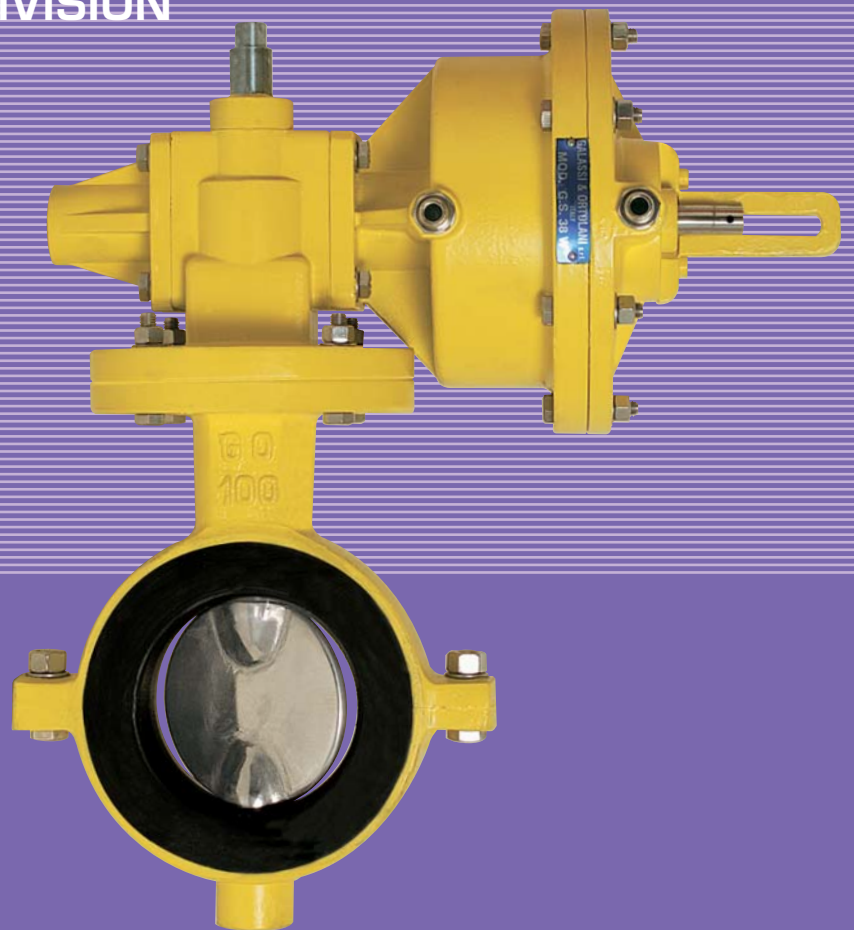


GALASSI & ORTOLANI

VALVES MANUFACTURE DIVISION



PINCH VALVES
SLEEVE VALVES
BUTTERFLY VALVES
DIAPHRAGM VALVES
CHECK VALVES

**The answer to problems of:
corrosion, abrasion, clogging, contamination, vacuum & gas handling**

G&O SERIES BUTTERFLY VALVES



Hand and pneumatic operated butterfly valves are quick opening valves that consist of a metal disc (lined where necessary) with its pivot axes at right angles to the direction of flow in the pipe.

They are leaktight on all liquids, slurries, granular materials, powders, pastes, gases acids etc...

Seat and disc are easily replaceable without any special tools.

The wide range of available elastomer materials enables an appropriate selection for each application and is a guarantee of perfect resistance to corrosion and abrasion.

GS33



PRODUCT FEATURES:

- To mount between flanges ANSI/BS/DIN/JIS
- Size from 2" through 24"
- Manual, pneumatic and electric operated

PERFORMANCE FEATURES:

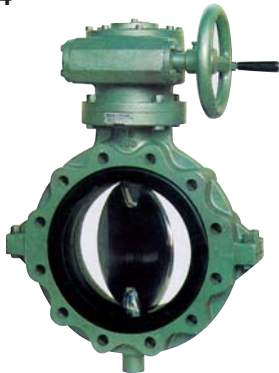
***RESILIENT SEATED CONCEPT**

- Lower risk of damage due to tuberculation than metal on metal concept valve
- Long seat life: no metallic inserts to strain the elastomers
- Body valve designed and manufactured in one or two parts
- Special two parts body valve for quick and easy replacement of seat and disc
- No maintenance
- Long durability
- Epoxy painted, valve bodies protected with an anti-acid varnish

***METAL ON METAL CONCEPT**

- Metal seated valve for high temperature
- Body valve designed and manufactured in one part
- PTFE seated valve only available for temperature up to 200°C

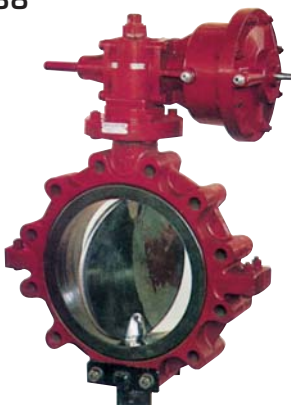
GS34



BODY VALVE MATERIALS:

- Spheroidal cast iron GS400
- Aluminium
- A216 WCB carbon steel
- SS 304; SS 316; SS 316 L

GS38



DISC MATERIALS:

- Hard rubber lined A216 WCB carbon steel
- PFA lined
- Rilsan lined
- HALAR/ECTFE lined 304 or 316 or marine 316 Stainless steel
- SS 304; SS 316; SS 316 L
- Ductile iron
- Hastelloy C
- Aluminium bronze
- Duplex

MATERIAL OF SEAT

- Natural rubber
- White natural rubber
- Neoprene
- EPDM
- Viton
- Butyl
- Nitrile
- Hypalon
- Silicone
- Neoprene/Silicone (mixed)
- PTFE

DESIGN/DIMENSIONS APPLICABLE STANDARD

- ISO 5752

CERTIFICATES AVAILABLE

- EN 10204 3.1.B
- EN 10204 2.2

INSPECTION TESTS AVAILABLE BY:

- SGS GLOBAL TRADE SOLUTIONS
- ITS INTERTEK TESTING SERVICES
- BV BUREAU VERITAS

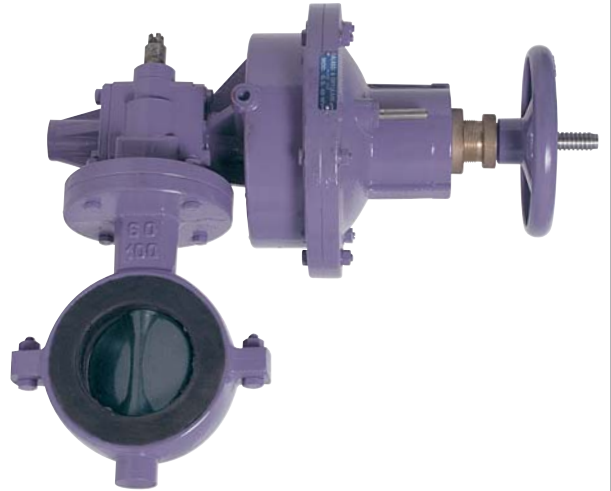
MAJOR MARKETS SERVED

- Chemical process
- Power generation
- Water treatment
- Mining
- Pulp & Paper
- Nuclear
- Pharmaceutical
- Food & Beverage
- Sugar
- Oil process

OPTIONS:

- Limit switches
- Solenoid valve
- Position indicator
- Air filter regulator
- 3:15 PSI positioner
- 4:20mA electropneumatic positioner or 4:20mA electronic transmitter of position 30°-90° angle
- Mono/Triphase AC motor (240V/50Hz through 400V/50Hz)

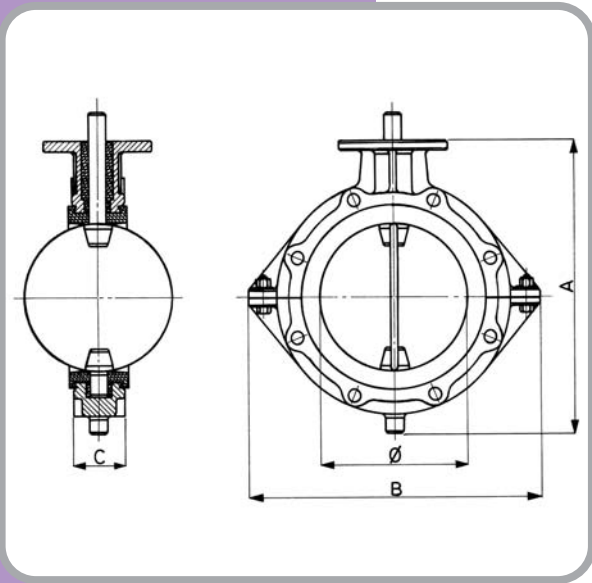
GS40W



GS38W

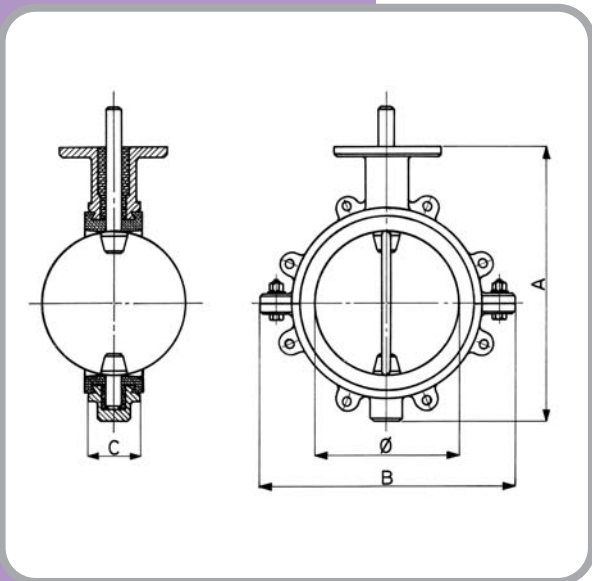


BUTTERFLY VALVES TWO PIECES BODY



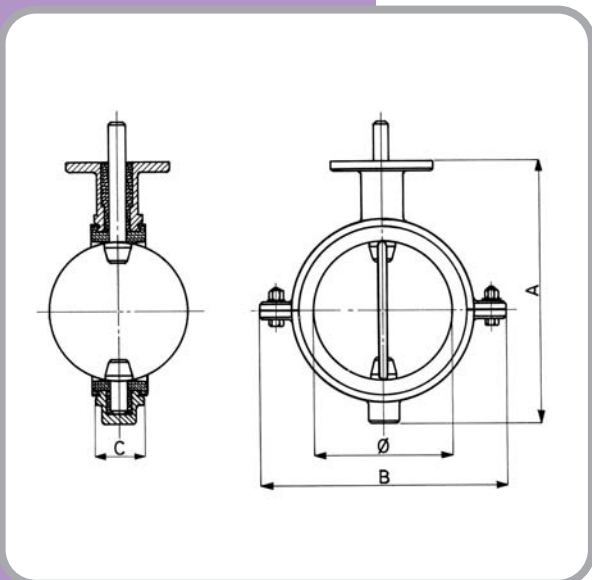
Lug

Size mm	A	B	C	Weight kg C.I.
100	305	280	72	28,6
150	375	355	84	34,6
200	435	420	90	50,6
250	495	450	98	58
300	545	530	105	70
350	682	634	110	110
400	748	695	120	165
500	860	820	160	198
600	920	820	175	210



Wafer Lug

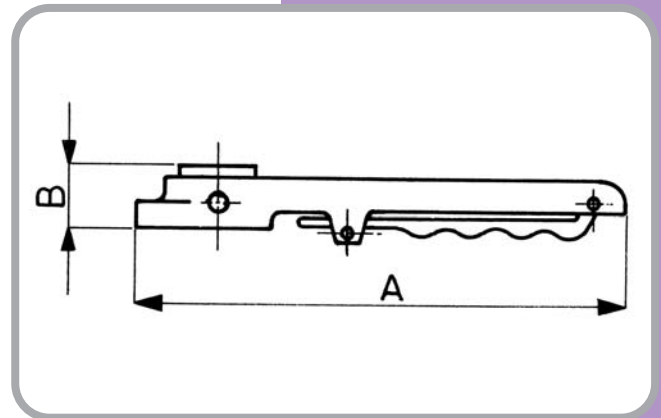
Size mm	A	B	C	Weight kg C.I.
50	172	148	40	4
65	195	165	44	4,8
80	209	200	46	5,4
100	285	220	50	8
125	285	250	53	10,5
150	337	280	53	13
200	393	340	64	17,5



Wafer

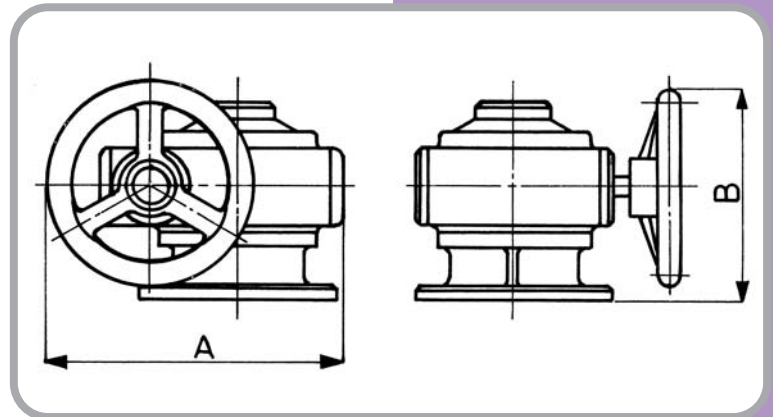
Size mm	A	B	C	Weight kg C.I.
50	176	148	40	2,7
65	195	165	44	3,4
80	209	200	46	3,9
100	250	220	50	5,6
125	270	250	53	7,2
150	310	280	53	8,5
200	370	340	64	10,5

Size mm	A	B
50÷65	260	34
80	322	34
100÷200	450	62
250÷300	500	65



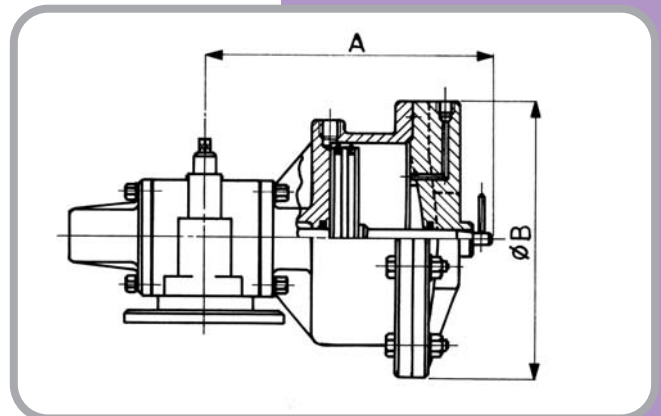
Lever

Size mm	A	B
50÷80	150	120
100÷200	260	160
250÷350	235	180
400÷600	500	390



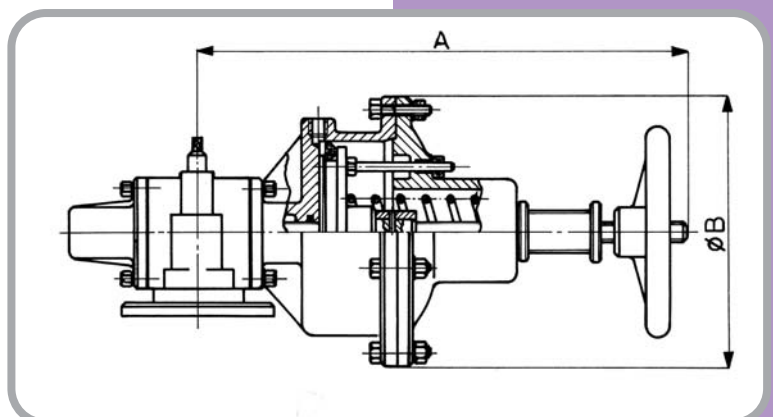
Gear

Size mm	A	B
50÷65	200	170
80	200	200
100÷125	270	250
150÷200	350	285
250÷300	420	335



Double effect acting

Size mm	A	B
50÷65	380	170
80	380	200
100÷125	400	250
150÷200	550	285
250÷300	600	335



Single effect acting

BUTTERFLY VALVES ONE PIECE BODY

Size mm	A	B	C	D	Weight kg	
					WAFFER	LUG
50	190	30	43	265	4,5	6,5
65	202	30	46	265	5	8,5
80	225	30	46	265	5,5	9
100	271	30	52	265	7	13
125	307	30	56	265	8	17
150	333	30	56	265	9	19
200	396	170	60	180	28	43
250	460	170	68	180	34	56
300	527	200	78	240	51	92

Level operated through 150 mm
Gear operated from 200 mm

HIGH PERFORMANCE BUTTERFLY VALVES

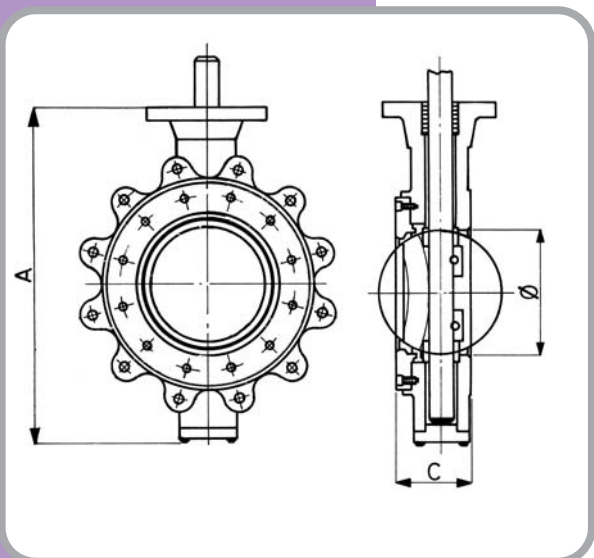
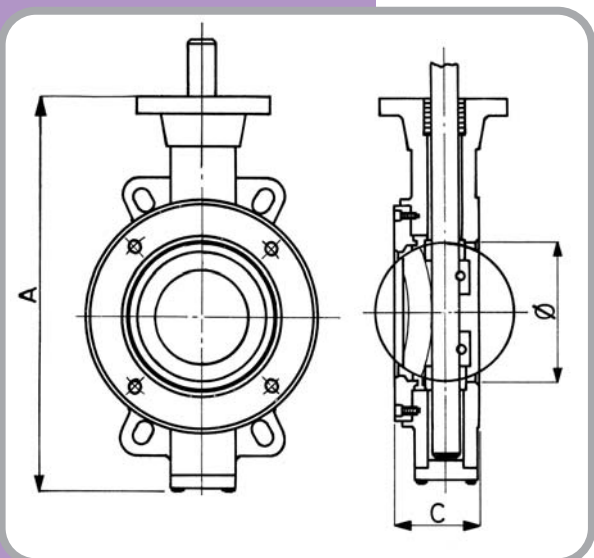
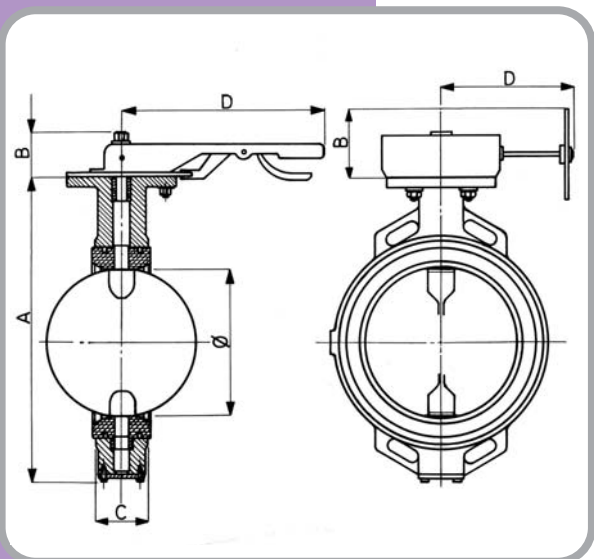
WAFFER & LUG TYPE Class 150

LUG TYPE Class 300

Size mm	A	C	Weight kg		A	C	Weight kg
			WAFFER	LUG			
80	325	48	8	10	315	48	13
100	365	54	11	14	365	54	18
150	425	57	16	20	465	59	40
200	490	64	36	45	545	73	60
250	565	71	55	62	610	83	95
300	645	81	70	84	730	92	130
350	715	92	95	122	795	117	180
400	770	102	140	204	865	133	315
450	860	114	180	360	935	149	390
500	925	127	230	456	1030	159	550
600	1090	154	350	552	1180	181	725

Test pressure - bar

	Class	150	200
HYD.	Shell	30	76
	Seat	22	55
AIR	Seat	6,9	

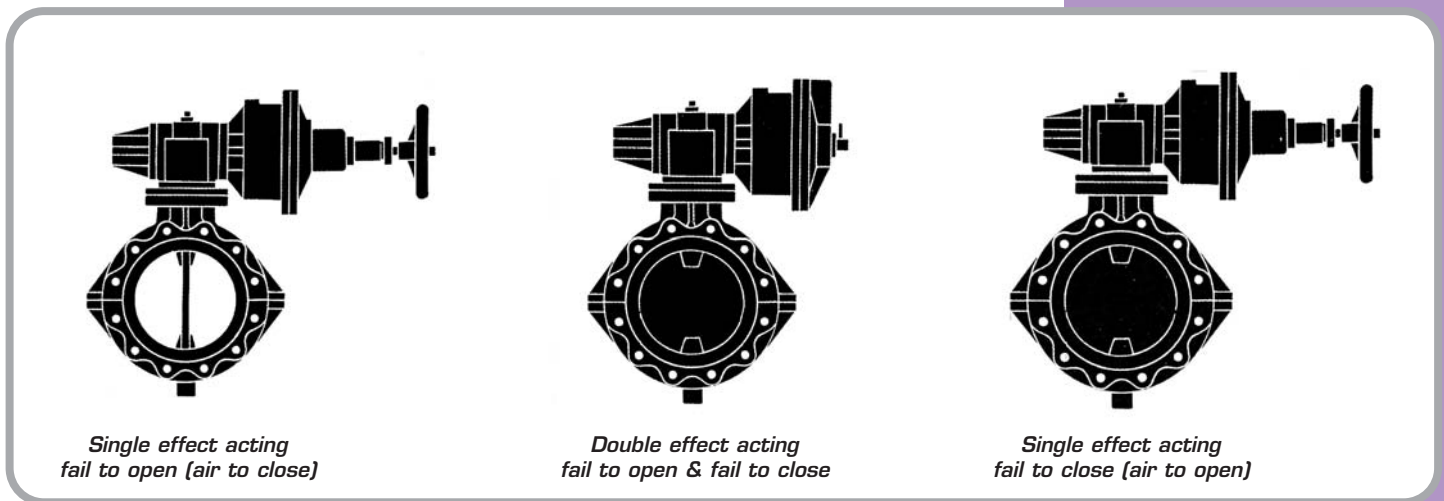


G&O SERIES PNEUMATIC ACTUATORS

Piston type air operators line offer a great solution to a wide range of actuation situations. They are exclusively designed to G&O series butterfly valves and can be mounted in any position. These actuators are built in aluminium and are available in three options:

- single effect acting - fail to close (air to open)
- single effect acting - fail to open (air to close)
- double effect acting - fail to open & fail to close

Single effect acting actuators are fitted by an extractable handwheel for security.



TYPICAL RUBBER SEAT SELECTION AND APPLICATION

Material	Application	Temp. range °C	Hardness in Shore-A
Natural rubber	Mildly acid resistant	-30 to 80	65 - 75
Natural rubber	Abrasion resistant	-30 to 80	60 - 70
Natural rubber	Highly abrasion resistant	-30 to 80	50 - 60
White natural rubber	Food & Pharmaceuticals	-10 to 80	55 - 65
Neoprene rubber	Diluted acid resistant	-25 to 95	65 - 75
Neoprene rubber	Water treatment	-25 to 95	60 - 70
Neoprene rubber	Caustic soda	-25 to 95	60 - 70
Butyl rubber	Steam sterilisation	-25 to 115	60 - 70
Nitrile rubber	Oils & Fats	-10 to 90	65 - 75
Hypalon rubber	Acid resistant	-15 to 110	60 - 70
Epdm rubber	Radio active materials	-30 to 128	60 - 70
Viton rubber	Aromatics chlorine	-10 to 178	60 - 70
Viton rubber	High temperatures	-10 to 178	60 - 70
Silicone rubber	High temperatures	-100 to 220	60 - 70

Hypalon® & Viton® are trademarks of Dupont



Galassi & Ortolani Spa has been making special valves since 1937.

The range of products, comprising:

- diaphragm valves
- pinch valves
- butterfly valves
- non-return valves
- pneumatic actuators

is divided into several versions and variants and is used, in particular, in the chemical industry, in water processing and distribution.

The experience achieved during over 60 years in the making of valves for various-nature fluid-management plants has allowed Galassi & Ortolani to make a name in the plant-construction market as a reference producer both at domestic and international level.

ARTISANS OF YEAR 2000

- Uni En ISO 9001:2000 Quality Management System Certified
- Choice of ISO certified suppliers who utilize the latest casting technologies
- Check of all incoming components so as to find and eliminate those defective
- Check of all machined products for conformance to our dimensional standards
- Hydraulic test of body valve at 110/115% of rated pressure to ensure the best tightness
- Each valve being coated with an anti-corrosive varnish at no additional cost

CNC PROCESS

Equipment for Machining Centres and CN Lathes

- To have the utmost control possible on each component
- To allow total interchangeability of each component in case it is changed
- To ensure valve perfect stability and connection
- To reduce Torque rating

CUSTOMER HELP

- Customer's personalized treatment, both pre-sales and after-sales
- Direct intervention by our experts on Plants upon request
- Extensive store of spare parts for immediate availability



GALASSI&ORTOLANI
VALVESMANUFACTUREDIVISION

GALASSI & ORTOLANI SpA

Via Ghirlandaio, 2/4 - 20096 Pioltello (MI) Italy

Tel. +39 02.92103459 - 02.92103801 - 02.92103802 - Fax +39 02.92103804

E-mail: info@galassiertolani.com - www.galassiertolani.com



ISO 9001:2000
Registr. n° I 10706