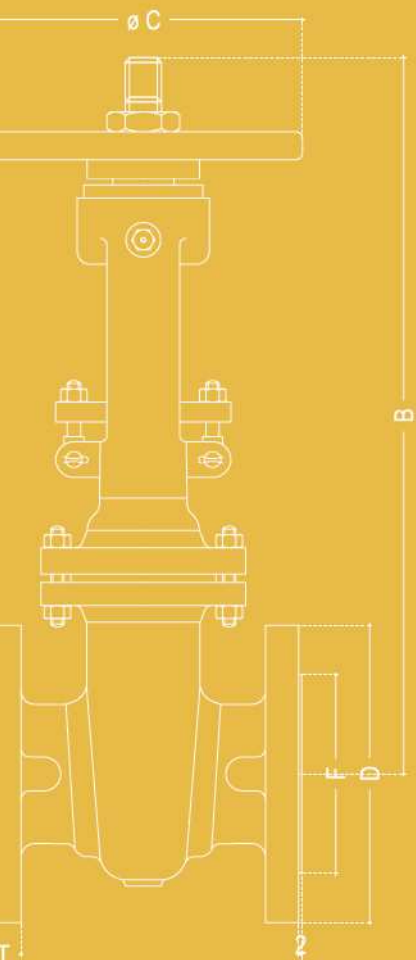
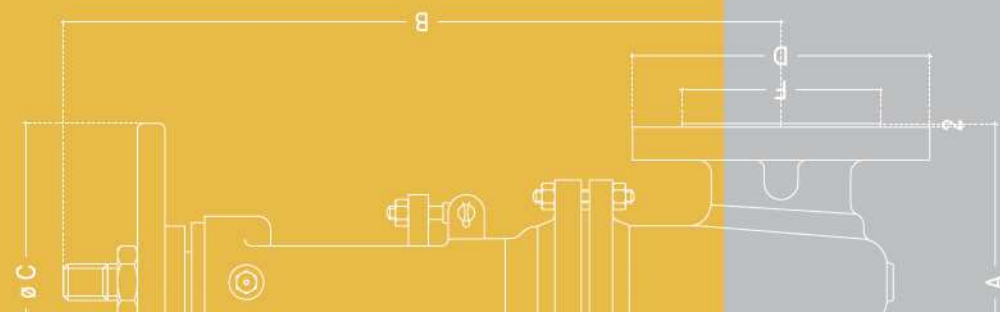


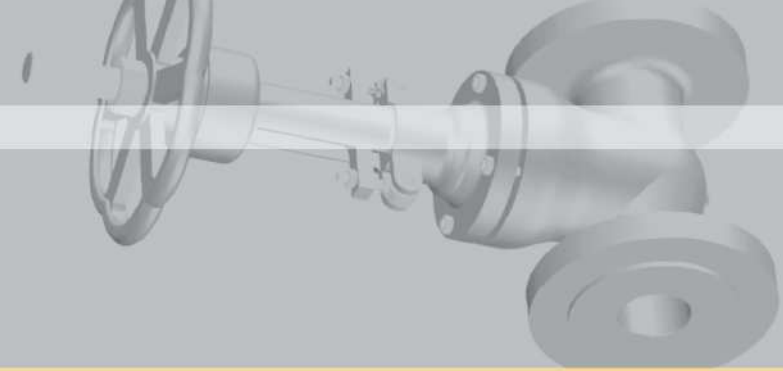
GATE VALVES



GATE VALVES 179

Mod.	GS70	pag. 176
Mod.	GS71	pag. 178
Mod.	GS72	pag. 180
Mod.	GS73	pag. 182
Mod.	GS74	pag. 184



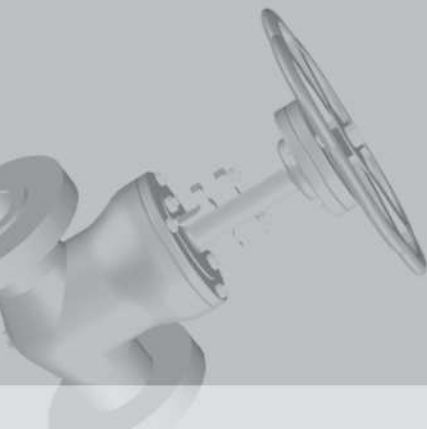


THE ANSWER TO PROBLEMS OF: CORROSION, ABRASION, CLOGGING, CONTAMINATION, VACUUM & GAS HANDLING

The most common and traditional type. The valves are large to accommodate the yoke and stem mechanism, but fully open the full bore design provides an uninterrupted flow path.

Generally either used fully open or closed, for on/off isolation, and not used for modulating flow control duties.

Variants include Solid and Flexible Wedge Gates, Double Disc Gates, Through Conduit Valves, Parallel Slide Valves and Knife Gate Valves.



PRODUCT FEATURES

- Heavy duty OS & Y type
- Bolted bonnet, rising stem, non rising hand wheel
- Renewable seating for Carbon Steel Valves, Integral for Stainless Steel Valves
- Piston Lift Check Valves with spring loaded disc
- Class 150, 300, 600, 800, 900, 1500, 2500
- Size from 1/2" through 24"
- Manual lever, Manual Gear and electric operated

PERFORMANCE FEATURES

- Valves with most advanced design Features provide the ultimate in dependable, economic flow control
- Surface protection for carbon steel Valves, Chlorine free prime coat with modified alkyd resin unobjectionable in physiological and toxicological respects. Additional external coating: Silver Streak aluminium paint/varnish light blue

BODY & BONNET MATERIALS:

- ASTM A126 CLASS B
- ASTM A216 WCB, A217 WC6, WC9, C5, C12
- ASTM A352 LCB
- ASTM A351 CF8, CF8M, CF3, CF3M
- ASTM A105
- ASTM A182 F11, F22, F5, F9, F304, F316

WEDGE & SEAT RING MATERIALS:

- ASTM A216 WCB+13% Cr, Facing, A217 WC6+Stellited, CA6NM+Stellited
- ASTM A216 WCB, ASTM A217 WC6, A743 CA6NM
- ASTM A217 CA15
- ASTM A276 Type 410, 304, 316
- ASTM A351 CF8, CF8M, CF3, CF3M

GASKET VALVE MATERIAL

- Spiral Wound 304, 316 with CAF
- Graphite
- PTFE filled

DESIGN/TESTING APPLICABLE STANDARD

- API 6D, API 600
- ASME B16.34
- API 602, BS 5352
- BS 5150, BS 5152
- API 6D, API 598
- API 598
- API 598, EN 12266-1

END CONNECTIONS APPLICABLE STANDARD

- ANSI/ASME B16.5 Flanged Valves
- ANSI/ASME B16.1 Flanged Fittings
- ANSI/ASME B1.20.1 (NPT) Pipe Threads
- ANSI/ASME B16.34 Steel Valves
- ANSI/ASME B16.11 Socketweld Fittings
- ANSI/ASME B16.25 Buttweld Ends

CERTIFICATES AVAILABLE

- EN 10204 3.1.B
- EN 10204 2.2
- LP/MP TESTS

INSPECTION TESTS AVAILABLE BY

- SGS GLOBAL TRADE SOLUTIONS
- ITS INTERTEK TESTING SERVICES
- BY BUREAU VERITAS

MAIOR MARKETS SERVED

- Chemical process
- Mining
- Pharmaceutical
- Power generation
- Pulp & Paper
- Food & Beverage
- Water treatment
- Nuclear
- Bioprocess

OPTIONS

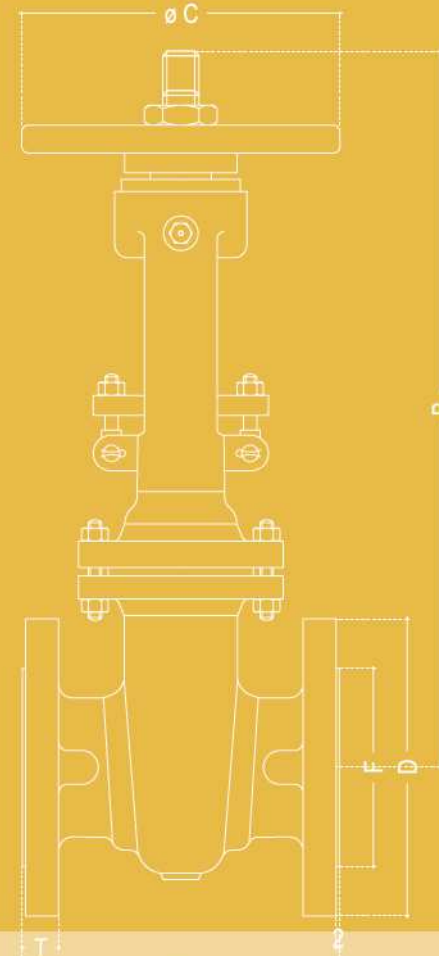
- Limit switches
- Solenoid valve
- Position Indicator
- Air filter regulator
- 3-15 PSI positioner
- 4-20mA electropneumatic positioner or 4-20mA electronic transmitter of position 30°-90° angle
- Triphase AC motor

G&O SERIES PNEUMATIC ACTUATORS

Piston type air operators line offer a great solution to a wide range of actuation situations. They are exclusively designed to G&O series butterfly valves and can be mounted in any position. These actuators are built in aluminium and are available in three options:

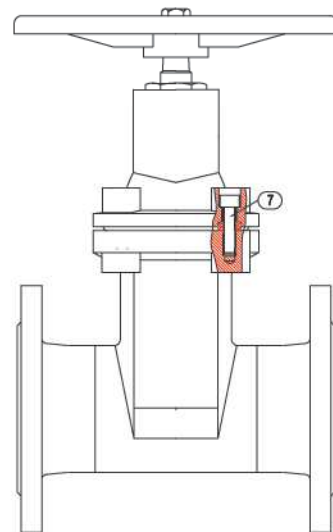
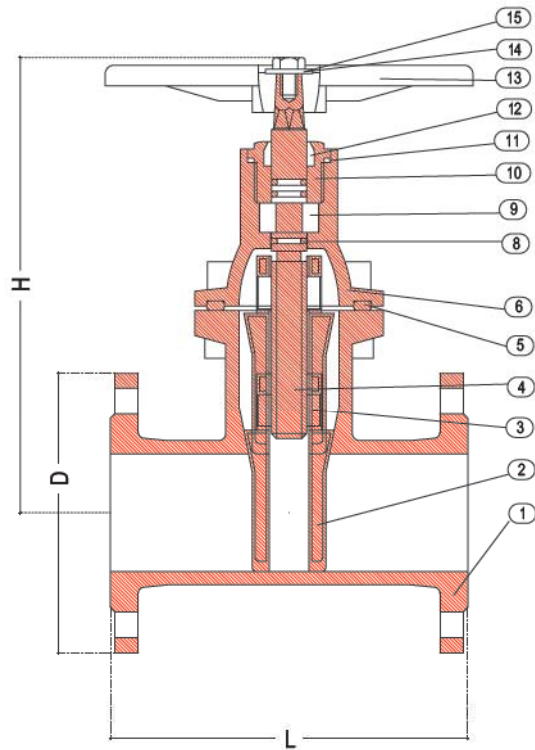
- single effect acting - fail to close (air to open)
- single effect acting - fail to open (air to close)
- double effect acting - fail to open & fail to close

Single effect acting actuators are fitted by an extractable handwheel for security.



Model GS70

MANUAL SHORT BODY SOFT SEATED GATE VALVES



DETAILS

1	BODY
2	WEDGE
3	STEM NUT
4	STEM
5	GASKET
6	BONNET
7	BONNET BOLT
8	O-RING
9	LOCALIZER RING
10	BONNET NUT
11	MINIPAD
12	DUST RING
13	WHEEL
14	WASHER
15	BOLT

TEST PRESSURE IN BAR

PRESSURE RATING	PN 10	PN 16
HYD SHELL	15	24
SEAT	10	16
AIR SEAT	7.0	7.0

WEIGHT KG

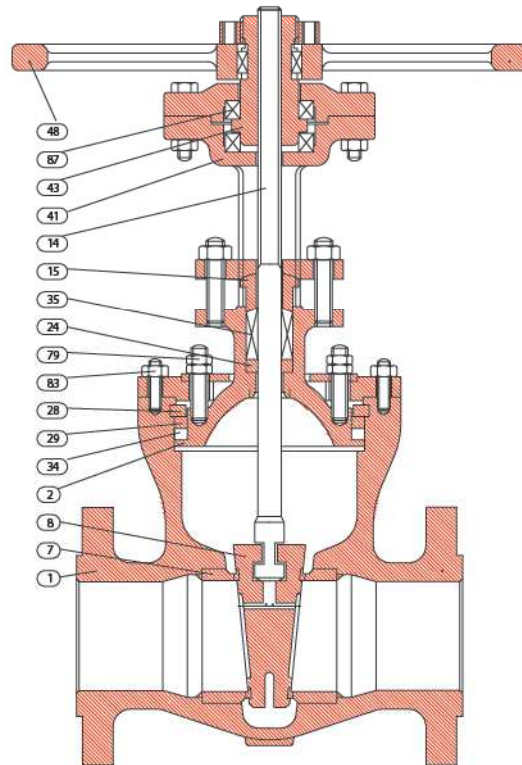
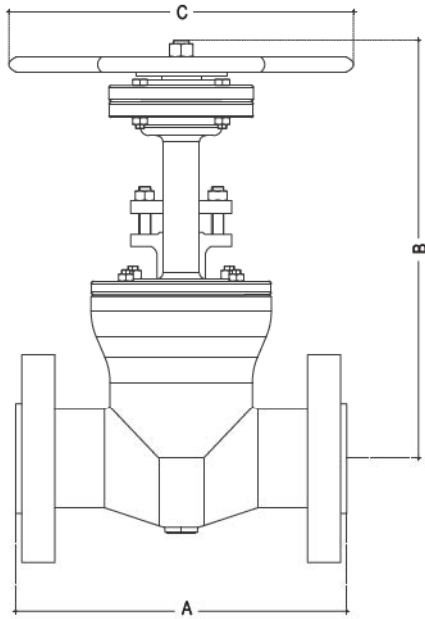
24,00
26,00
34,00
43,00
60,00
87,00
115,00
180,00
276,00
360,00

DIMENSIONS

DN	L	D	H
40	140	150	260
50	150	165	270
65	170	185	283
80	180	200	311
100	190	220	352
125	200	250	435
150	210	285	485
200	230	340	520
250	250	405	635
300	270	460	745

Model GS71

MANUAL LONG BODY GATE VALVES CLASS 900-1500



TEST PRESSURE IN BAR		
CLASS	900	1500
HYD SHELL	230	384
SEAT/BACK SEAT	169	282
AIR SEAT	6,9	6,9

• Bevel Gear Actuators Mandatory

DETAILS	
1	BODY
2	BONNET
7	SEAT RING
8	WEDGE
14	STEM
15	GLAND
24	ANTI EXTRUSION RING
28	SEGMENT RING
29	SUPPORT RING
34	PRESSURE SEAL RING
35	PACKING
41	YOKE
43	YOKE SLEEVE
48	HANDWHEEL
79	RET. ST./NT./LK./NT
83	YOKE ST./NT
87	THRUST BEARING

DIMENSIONS CLASS 900 W-L				WEIGHT KG
DN	A	B	Ø C	
50	368	520	300	58,00
65	419	595	450	86,00
80	381	665	450	95,00
100	457	760	600	130,00
125	559	885	600	200,00
150	610	1070	#	330,00
200	737	1415	#	595,00
250	838	1525	#	795,00
300	965	1610	#	1.110,00

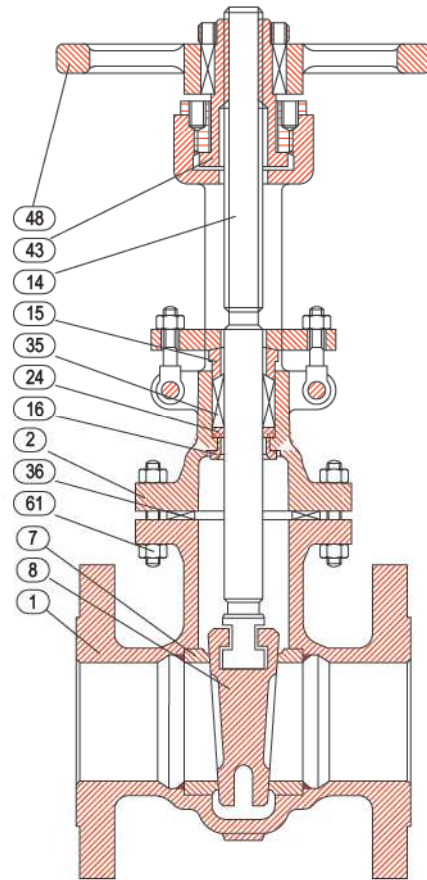
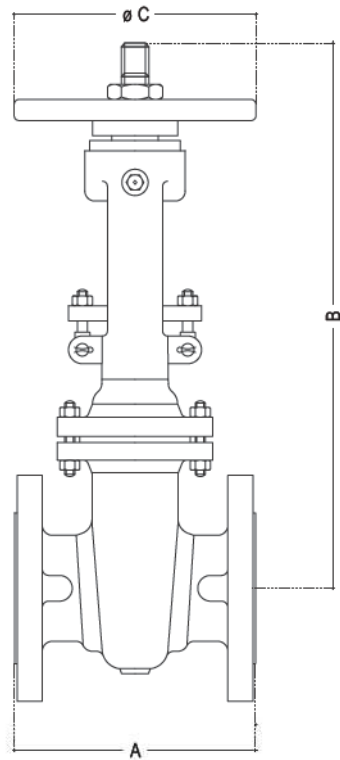
DIMENSIONS CLASS 1500 L				WEIGHT KG
DN	A	B	Ø C	
50	368	520	300	58,00
65	419	595	450	86,00
80	470	650	600	115,00
100	546	760	#	171,00
125	673	910	#	285,00
150	705	1070	#	440,00
200	832	1475	#	875,00
250	991	1525	#	1.325,00
300	1130	1610	#	2.525,00

DIMENSIONS CLASS 1500 L				WEIGHT KG
DN	A	B	Ø C	
50	368	520	300	58,00
65	419	595	450	86,00
80	470	650	600	115,00
100	546	760	#	171,00
125	673	910	#	285,00
150	705	1070	#	440,00
200	832	1475	#	875,00
250	991	1525	#	1.325,00
300	1130	1610	#	2.525,00

DIMENSIONS CLASS 1500 L				WEIGHT KG
DN	A	B	Ø C	
50	368	520	300	58,00
65	419	595	450	86,00
80	470	650	600	115,00
100	546	760	#	171,00
125	673	910	#	285,00
150	705	1070	#	440,00
200	832	1475	#	875,00
250	991	1525	#	1.325,00
300	1130	1610	#	2.525,00

Model GS72

MANUAL LONG BODY GATE VALVES CLASS 150



DETAILS	
1	BODY
2	BONNET
7	SEAT RING
8	WEDGE
14	STEM
15	GLAND
16	BONNET BUSH
24	PKG SUPPORT RING
35	PACKING
36	GASKET
43	YOKE SLEEVE
48	HAND WHEEL
61	STUD/NUT

DIMENSIONS CLASS 150			
DN	A	B	Ø C
15	108	210	100
20	117	215	100
25	127	250	150
40	165	300	200
50	178	345	200
65	190	410	200
80	203	435	250
100	229	550	250
125	254	650	300
150	267	750	300
200	292	960	450
250	330	1155	450
300	356	1390	600
350	381	1575	600
400	406	1710	750
450	432	1950	#
500	457	2225	#
600	508	2560	#
650	559	2800	#
700	610	3050	#
750	610	3130	#
800	660	3280	#
900	711	3720	#

WEIGHT KG	
150	
4,00	
4,50	
6,20	
11,20	
16,50	
25,00	
27,00	
43,00	
55,00	
78,00	
125,00	
190,00	
288,00	
315,00	
420,00	
650,00	
725,00	
1.305,00	
1.550,00	
1.880,00	
2.300,00	
2.550,00	
3.390,00	

DIMENSIONS CLASS 300			
DN	A	B	Ø C
15	140	210	100
20	152	215	100
25	165	250	150
40	190	300	200
50	216	345	200
65	241	425	250
80	282	460	250
100	305	550	300
125	381	685	450
150	403	790	450
200	419	990	450
250	457	1230	600
300	502	1475	600
350	762	1310	750
400	838	1870	#
450	914	2035	#
500	991	2220	#
600	1143	2550	#

WEIGHT KG	
300	
4,60	
6,00	
7,50	
14,20	
19,00	
28,00	
43,00	
75,00	
98,00	
133,00	
215,00	
368,00	
475,00	
580,00	
985,00	
1.185,00	
1.545,00	
1.805,00	



TEST PRESSURE IN BAR			
CLASS	150	300	600
HYD SHELL	30	77	155
SEAT	22	57	113
AIR SEAT	6,9	6,9	6,9

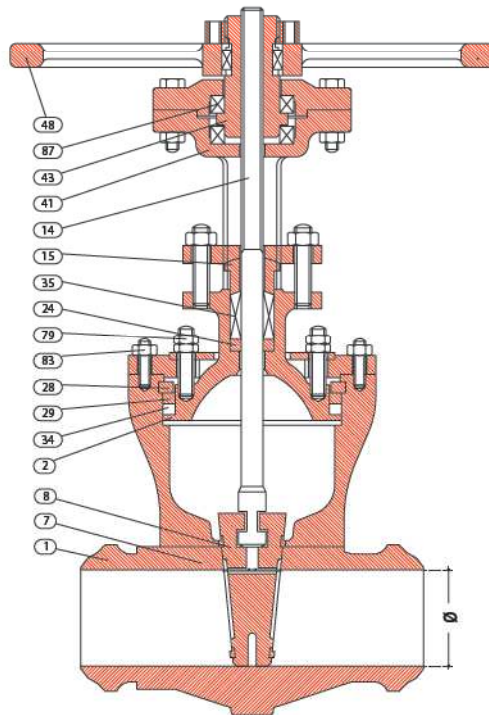
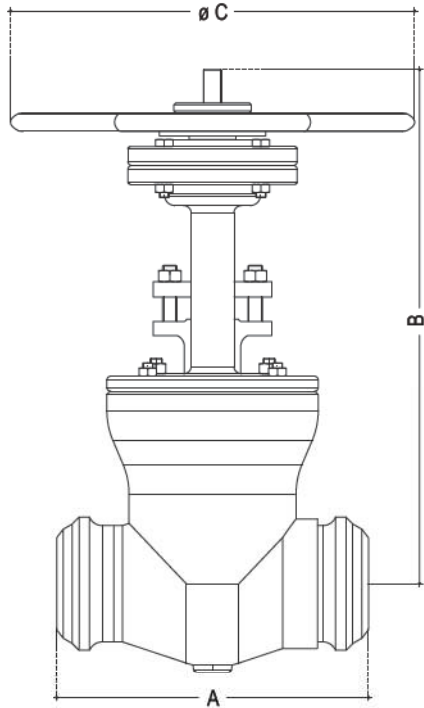
• Bevel Gear Actuators Mandatory

DIMENSIONS CLASS 600			
DN	A	B	Ø C
50	292	405	250
65	330	420	250
80	356	460	300
100	432	595	450
125	508	690	450
150	559	825	600
200	660	1065	600
250	787	1110	750
300	838	1770	#

WEIGHT KG	
600	
LUGGED	
30,00	
39,00	
51,00	
96,00	
135,00	
213,00	
355,00	
598,00	
825,00	

Model GS73

LONG BODY GATE VALVES CLASS 900-1500 SE



DETAILS

- 1 BODY
- 2 BONNET
- 7 SEAT RING
- 8 WEDGE
- 14 STEM
- 15 GLAND
- 24 ANTI EXTRUSION RING
- 28 SEGMENT RING
- 29 SUPPORT RING
- 34 PRESSURE SEAL RING
- 35 PACKING
- 41 YOKE
- 43 YOKE SLEEVE
- 48 HANDWHEEL
- 79 RET. ST./NT/LK. NT
- 83 YOKE ST./NT
- 87 THRUST BEARING

DIMENSIONS CLASS 900 Bwe

DN	A	B	Ø C
50	216	520	300
65	254	595	450
80	305	665	450
100	356	760	600
125	432	885	600
150	508	1070	#
200	660	1415	#
250	787	1525	#
300	914	1610	#

WEIGHT KG 900

40,00
55,00
65,00
87,00
140,00
250,00
415,00
610,00
860,00

TEST PRESSURE IN BAR

CLASS	900	1500	2500
HYD SHELL	230	384	647
SEAT	169	282	474
AIR SEAT	6,9	6,9	6,9

• Bevel Gear Actuators Mandatory

DIMENSIONS CLASS 1500 Bwe

DN	A	B	Ø C
50	216	520	300
65	254	595	450
80	305	650	600
100	406	760	#
125	483	910	#
150	559	1070	#
200	711	1475	#
250	863	1525	#
300	990	1610	#

WEIGHT KG 1500

40,00
55,00
76,00
106,00
190,00
262,00
558,00
889,00
1.580,00

DIMENSIONS CLASS 2500 Bwe

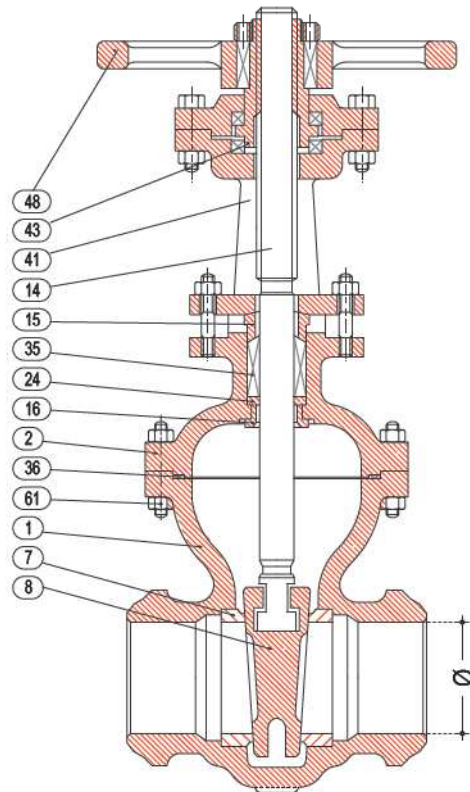
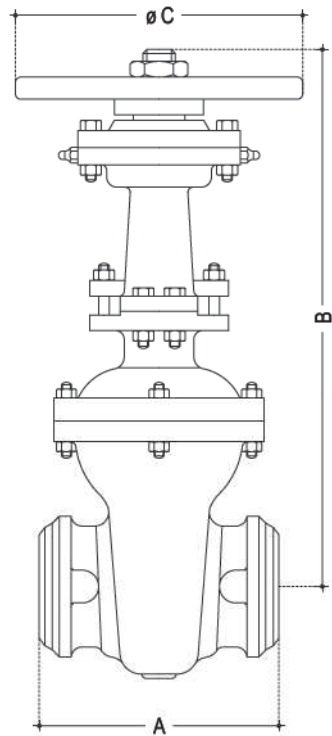
DN	A	B	Ø C
50	279	450	450
65	330	520	600
80	368	575	#
100	457	685	#
125	533	820	#
150	610	990	#
200	762	1350	#
250	914	1706	#
300	991	2145	#

WEIGHT KG 2500

52,00
79,00
105,00
148,00
450,00
510,00
1.050,00
1.265,00
1.505,00

Model GS74

LONG BODY GATE VALVES CLASS 600



DETAILS	
1	BODY
2	BONNET
7	SEAT RING
8	WEDGE
14	STEM
15	GLAND
16	BONNET BUSH
24	PKG SUPPORT RING
35	PACKING
36	GASKET
41	YOKE
43	YOKE SLEEVE
48	HAND WHEEL
61	ST/NT BODY TO BON
87	THRUST BEARING

DIMENSIONS CLASS 150			
DN	A	B	ØC
15	108	210	100
20	117	215	100
25	127	250	150
40	165	300	200
50	178	345	200
65	190	410	200
80	203	435	250
100	229	550	250
125	254	650	300
150	267	750	300
200	292	960	450
250	330	1155	450
300	356	1390	600
350	381	1575	600
400	406	1710	750
450	432	1950	#
500	457	2225	#
600	508	2560	#
650	559	2800	#
700	610	3050	#
750	610	3130	#
800	660	3280	#
900	711	3720	#

WEIGHT KG 150	
15	4,00
20	4,50
25	6,20
40	11,20
50	16,50
65	25,00
80	27,00
100	43,00
125	55,00
150	78,00
200	125,00
250	190,00
300	288,00
350	315,00
400	420,00
450	650,00
500	725,00
600	1.305,00
650	1.550,00
700	1.880,00
750	2.300,00
800	2.550,00
900	3.390,00

DIMENSIONS CLASS 300			
DN	A	B	ØC
15	140	210	100
20	152	215	100
25	165	250	150
40	190	300	200
50	216	345	200
65	241	425	250
80	282	460	250
100	305	550	300
125	381	685	450
150	403	790	450
200	419	990	450
250	457	1230	600
300	502	1475	600
350	762	1310	750
400	838	1870	#
450	914	2035	#
500	991	2220	#
600	1143	2550	#

WEIGHT KG 300	
15	4,60
20	6,00
25	7,50
40	14,20
50	19,00
65	28,00
80	43,00
100	75,00
125	98,00
150	133,00
200	215,00
250	368,00
300	475,00
350	580,00
400	985,00
450	1.185,00
500	1.545,00
600	1.805,00



TEST PRESSURE IN BAR			
CLASS	150	300	600
HYD SHELL	30	77	155
SEAT	22	57	113
AIR SEAT	6,9	6,9	6,9

• Bevel Gear Actuators Mandatory

DIMENSIONS CLASS 600			
DN	A	B	ØC
50	292	405	250
65	330	420	250
80	356	460	300
100	432	595	450
125	508	690	450
150	559	825	600
200	660	1065	600
250	787	1110	750
300	838	1770	#

WEIGHT KG 600	
50	30,00
65	39,00
80	51,00
100	96,00
125	135,00
150	213,00
200	355,00
250	598,00
300	825,00