

VACUUM BREAKER VB 16

DESCRIPTION

The VB16 vacuum breakers are simple and reliable devices that automatically relieve or “break” an unwanted vacuum condition, restoring the atmospheric pressure.

This device is particularly suitable for steam heated units of small and medium volume as heat exchangers, heating coils, calorifiers, jacketed kettles, steam boilers, etc. Connections are male screwed.

OPTIONS: Stainless steel inlet deflector
USE: Saturated steam and other gases compatible with the construction

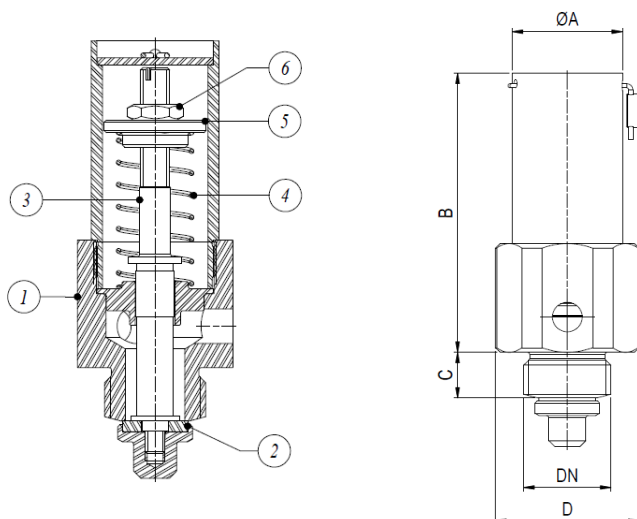
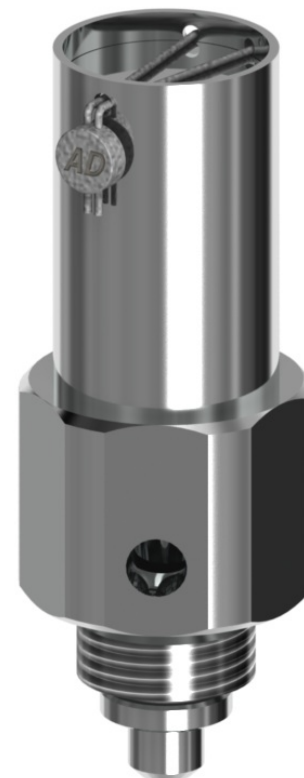
AVAILABLE

MODELS: VB16
SIZES: ½” to 1”
CONNECTIONS: Vertical connection
 Screwed ISO 7/1 RP (BS21)
INSTALLATION: Vertical installation
 See IMI, installation and maintenance instructions.

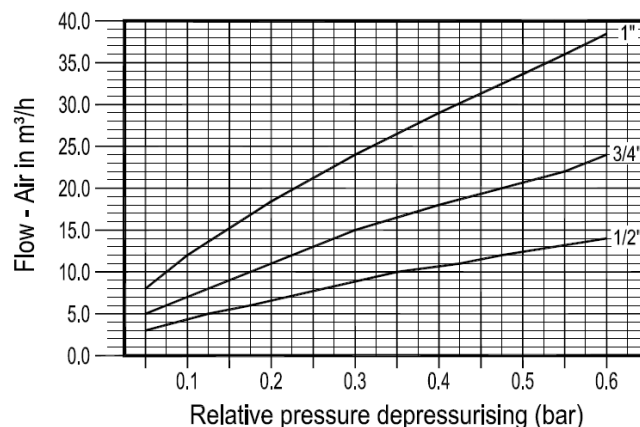
LIMITING

CONDITIONS: 12 bar at 150 °C
 16 bar at 120 °C

How to order: i.e. VB16 DN ½” BSP (0,05-0,10bar)



CAPACITY CHART



MATERIALS		
POS.Nr.	DESIGNATION	MATERIAL
1	Body	AISI316 / 1.4401
2	*Valve	AISI316 / 1.4401 and VITON
3	Stem	AISI304 / 1.4301
4	*Spring	AISI302 / 1.4300
5	Spring guide	AISI304 / 1.4301
6	Nut	A2-70

*Available spare parts.

DIMENSIONS (mm)					
SIZE DN	A	B	C	D	WGT. Kgs
1/2"	26	67	11	35	0,25
3/4"	33	81	15	39	0,52
1"	42	110	15	51	0,75

Set depressurising bar: (0,05-0,10), (0,09-0,20), (0,19-0,30), (0,29-0,40), (0,39-0,50).